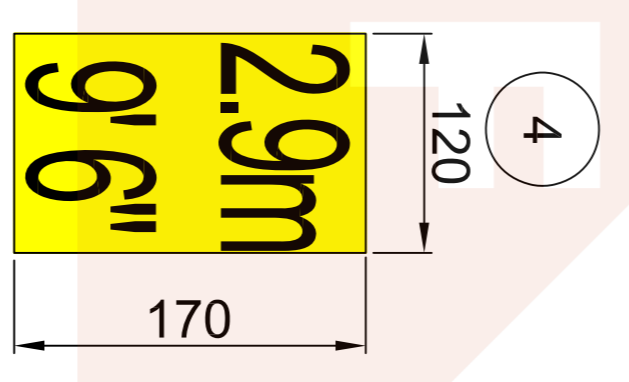
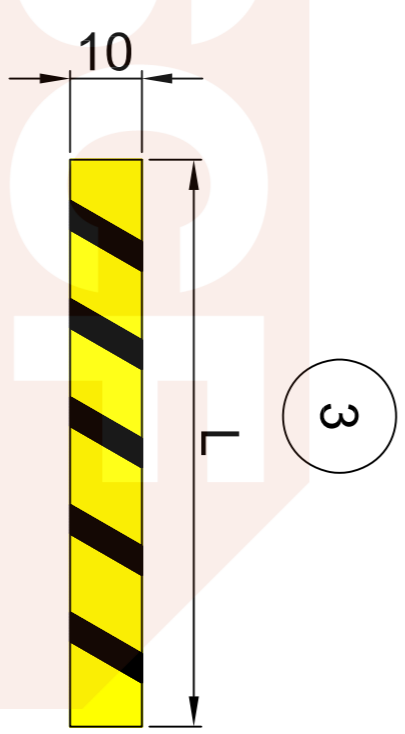


| L | QTY |
|-----|-----|
| 450 | 8 |
| 450 | 4 |

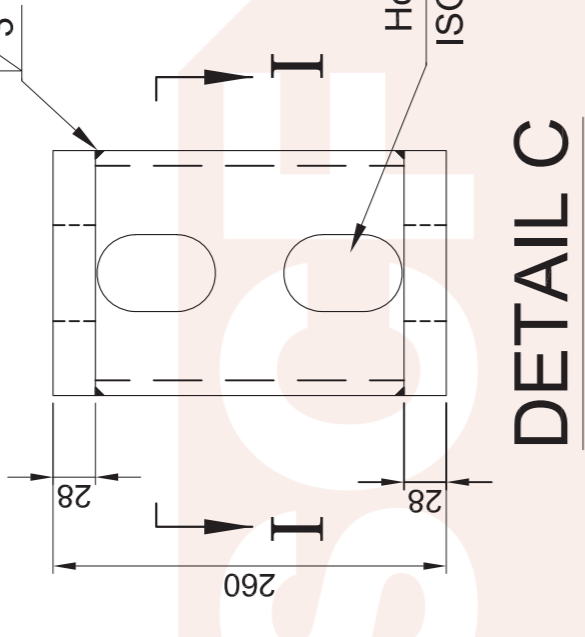
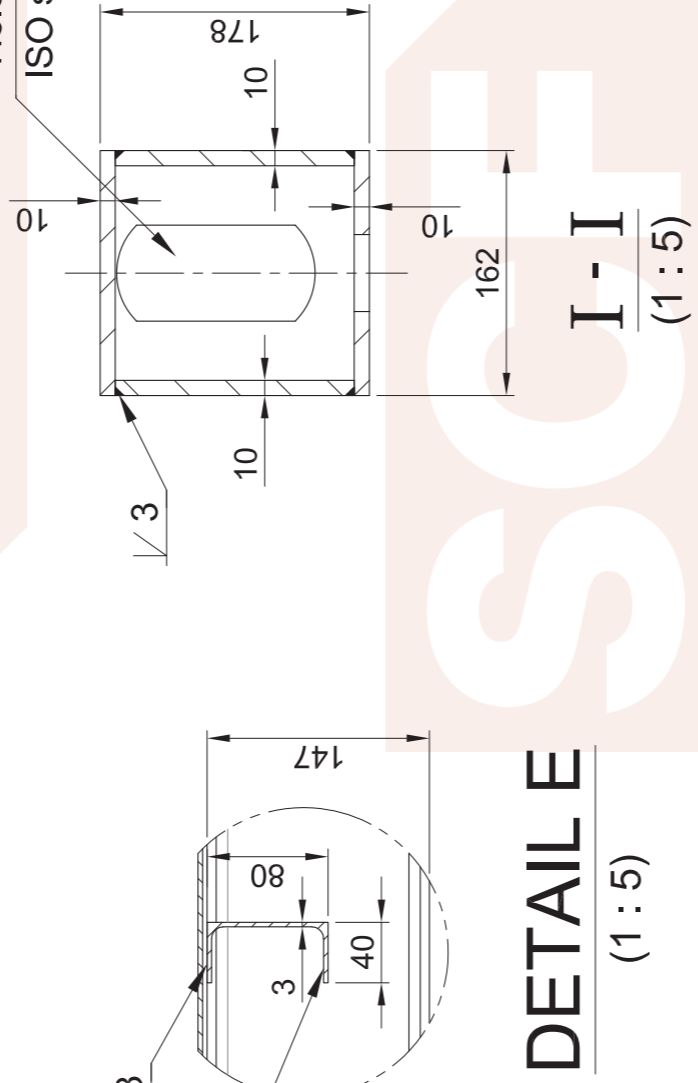
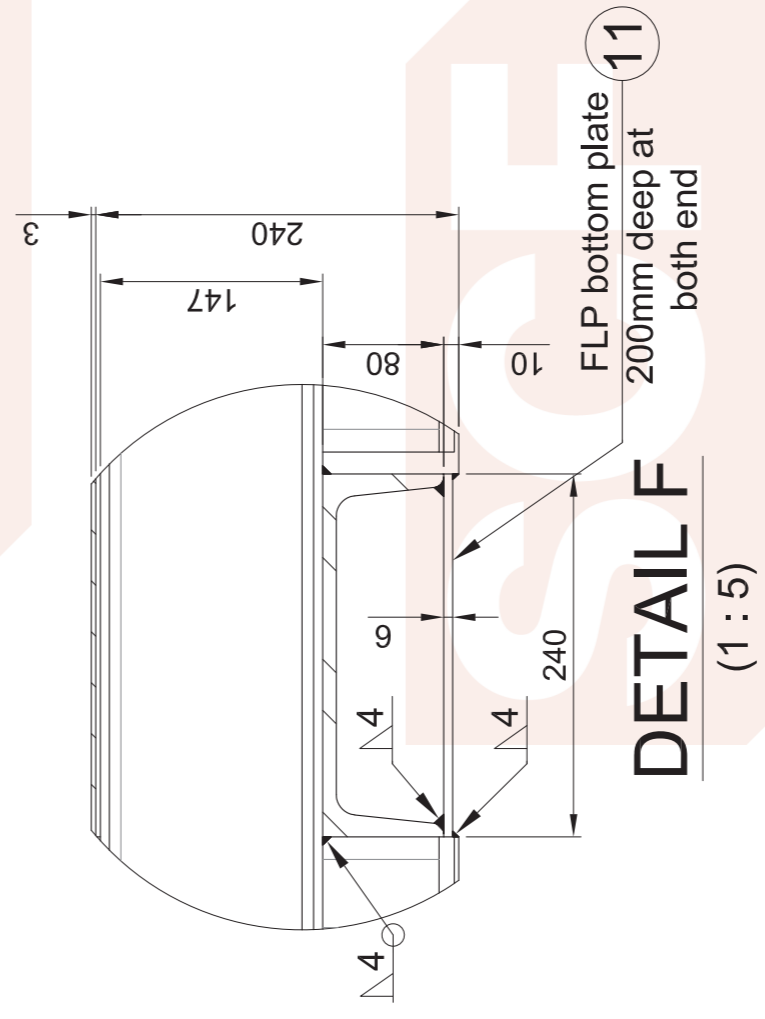
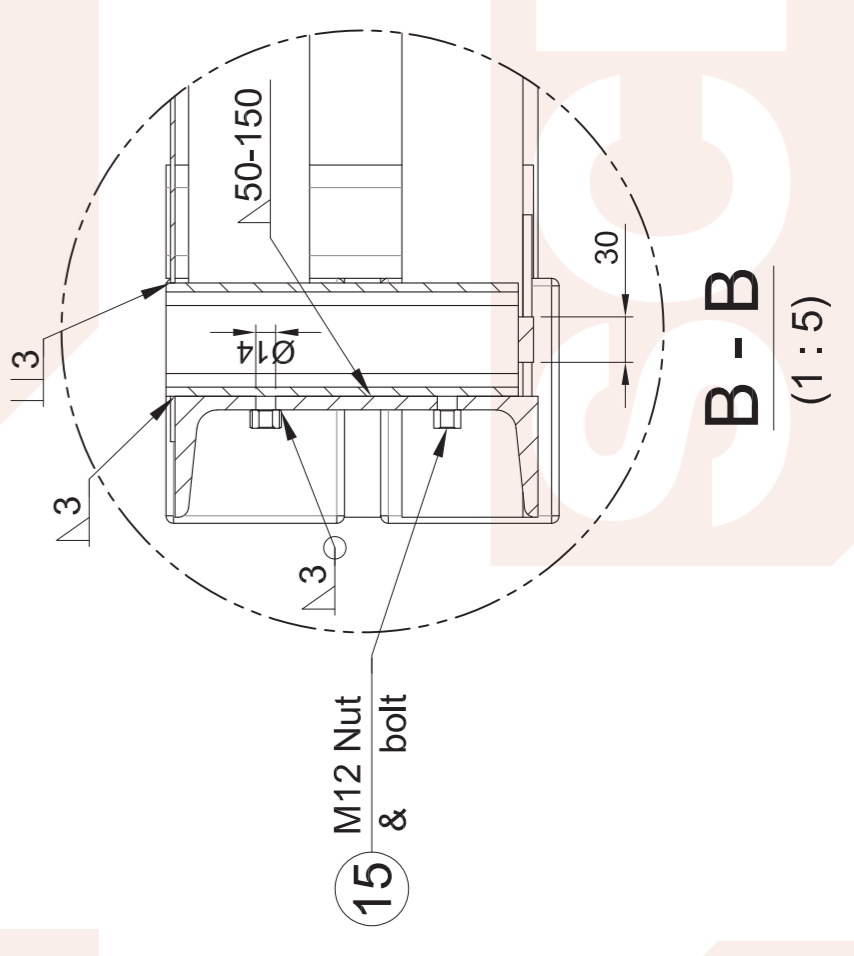
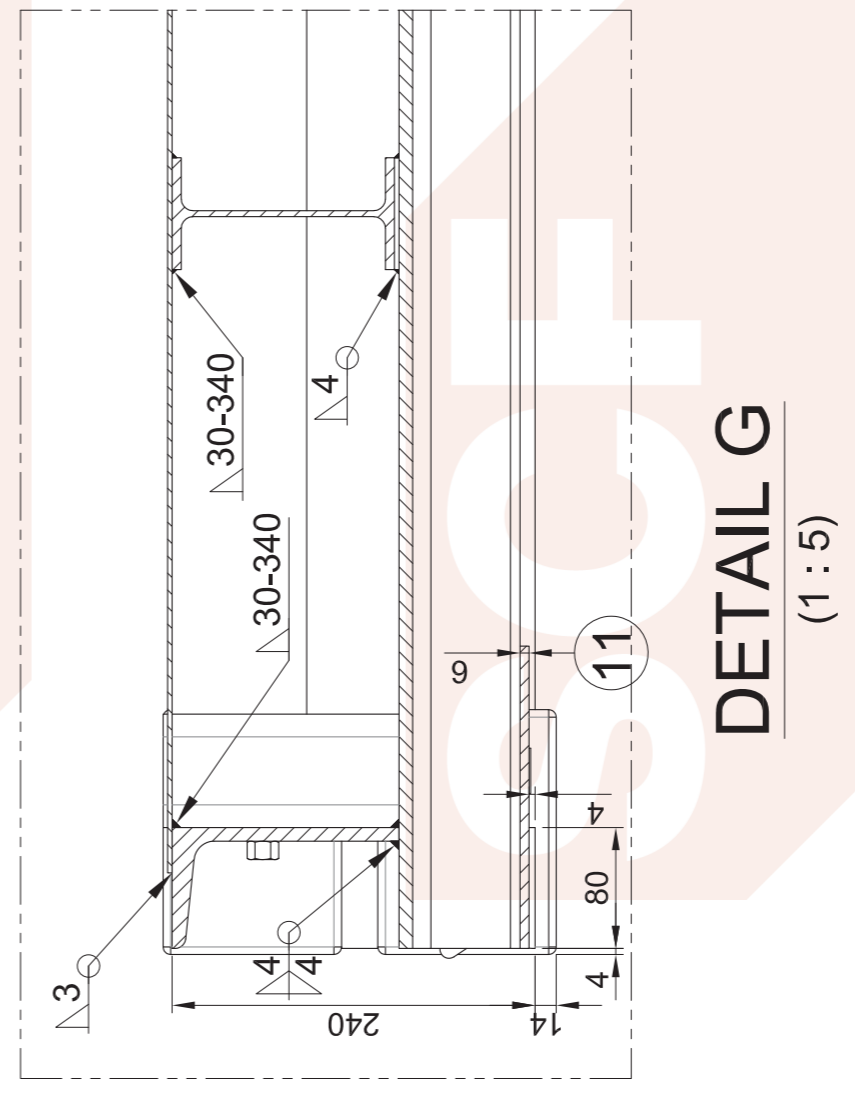
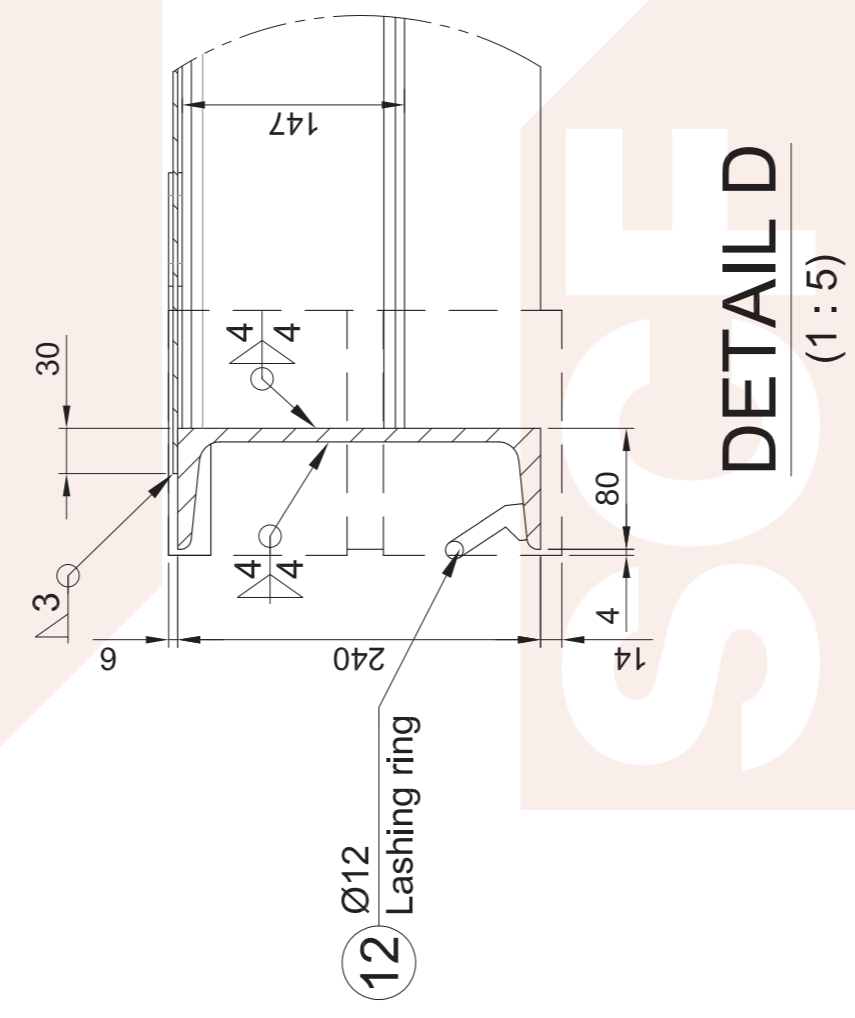
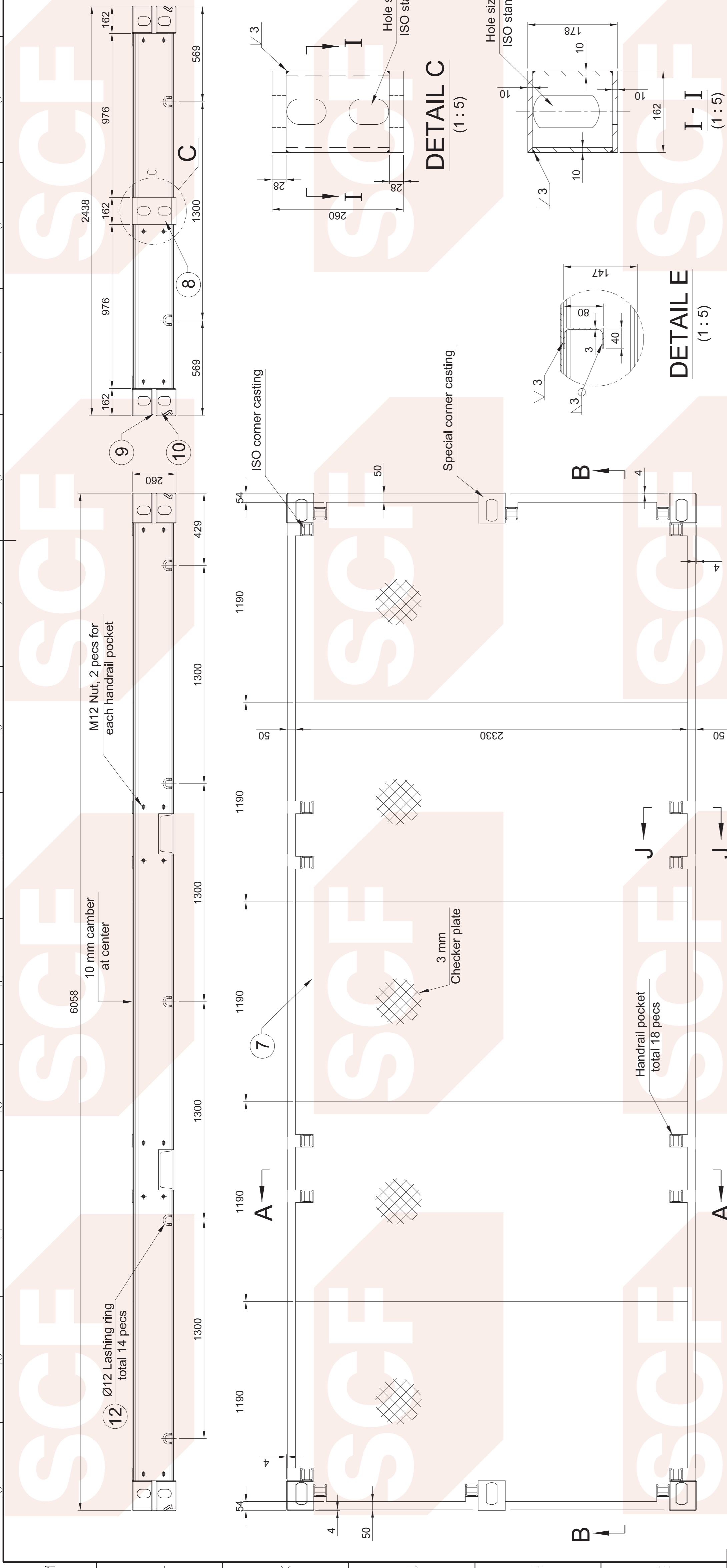


| No. | NAME | QTY | SPECIFICATION | REMARK |
|-----|------------------------------|-----|-----------------|-------------------|
| 5 | CSC PLATE | 1 | SS. PLATE | |
| 4 | WARNING MARK | 12 | BLACK ON YELLOW | |
| 3 | HEIGHT DECAL | 1 | BLACK ON YELLOW | |
| 2 | OWNER'S COD AND SERIAL'S NO. | 2 | BLACK KISS CUT | 100mm HIGH LETTER |
| 1 | OWNER'S COD AND SERIAL'S NO. | 4 | BLACK KISS CUT | 100mm HIGH LETTER |

| | | | |
|-------------------------------|-----|--------------------------|-----------|
| | | MARKING | |
| DESIGNED | HYJ | 2018.03.15 | TECHNICAL |
| CHECKED | | | APPROVED |
| SCF Group - Built to Contain | | PROJECT: 20' SITE OFFICE | |
| DRAWING NO.: SCF-OI/20.M.00.0 | | QTY | SCALE |
| | | EDITION | PAGE |
| | | A1 | 1 OF 1 |

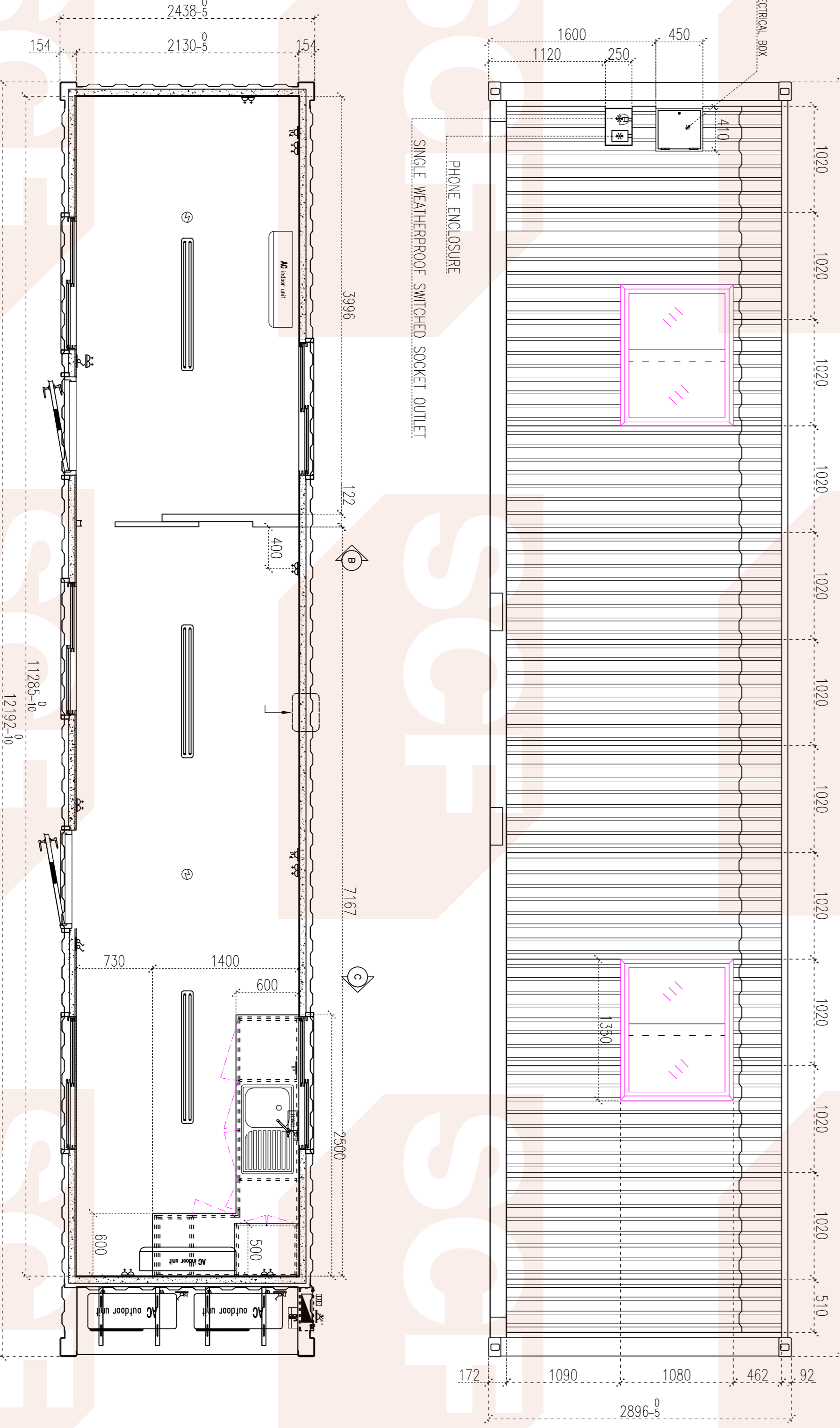
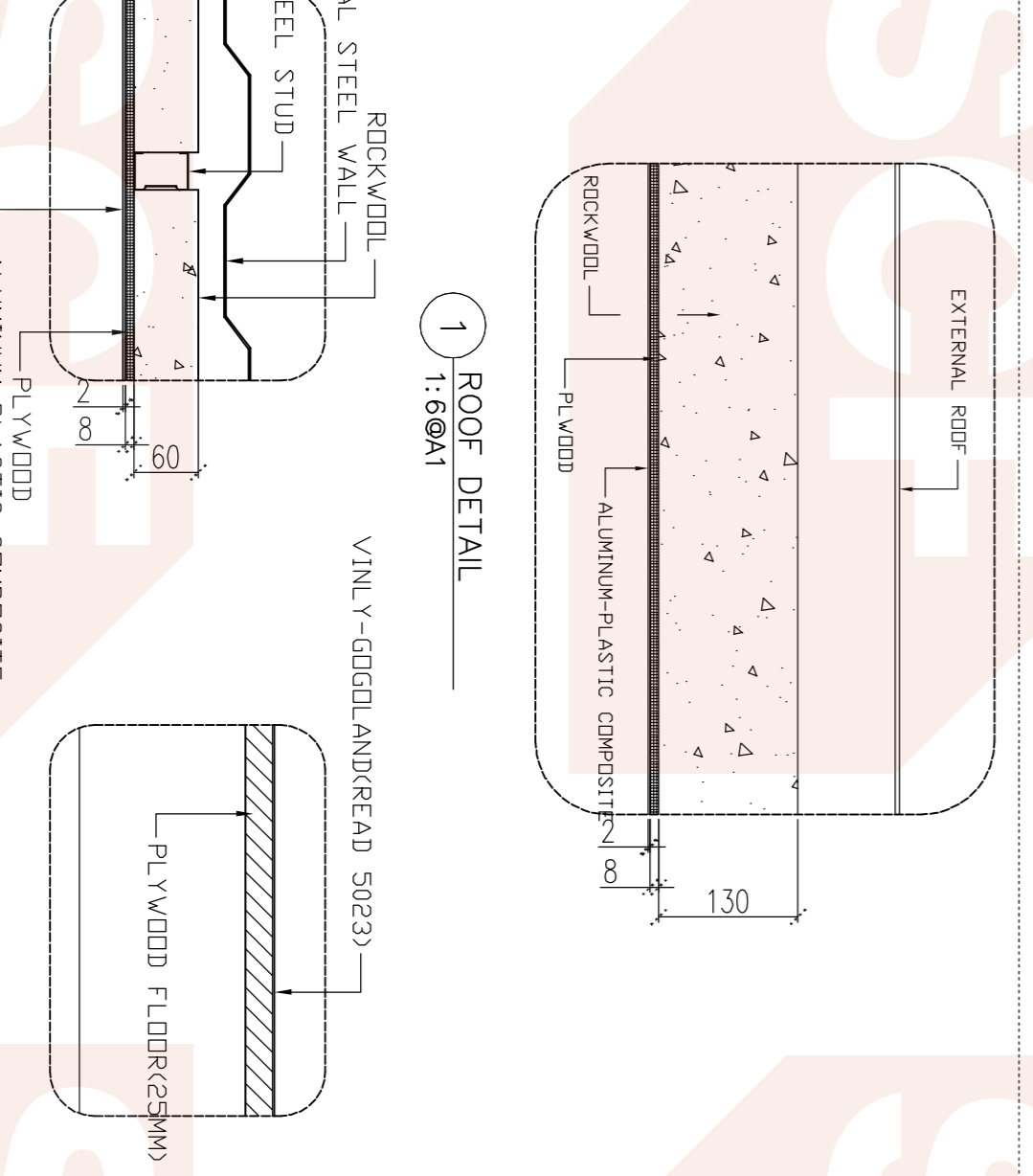
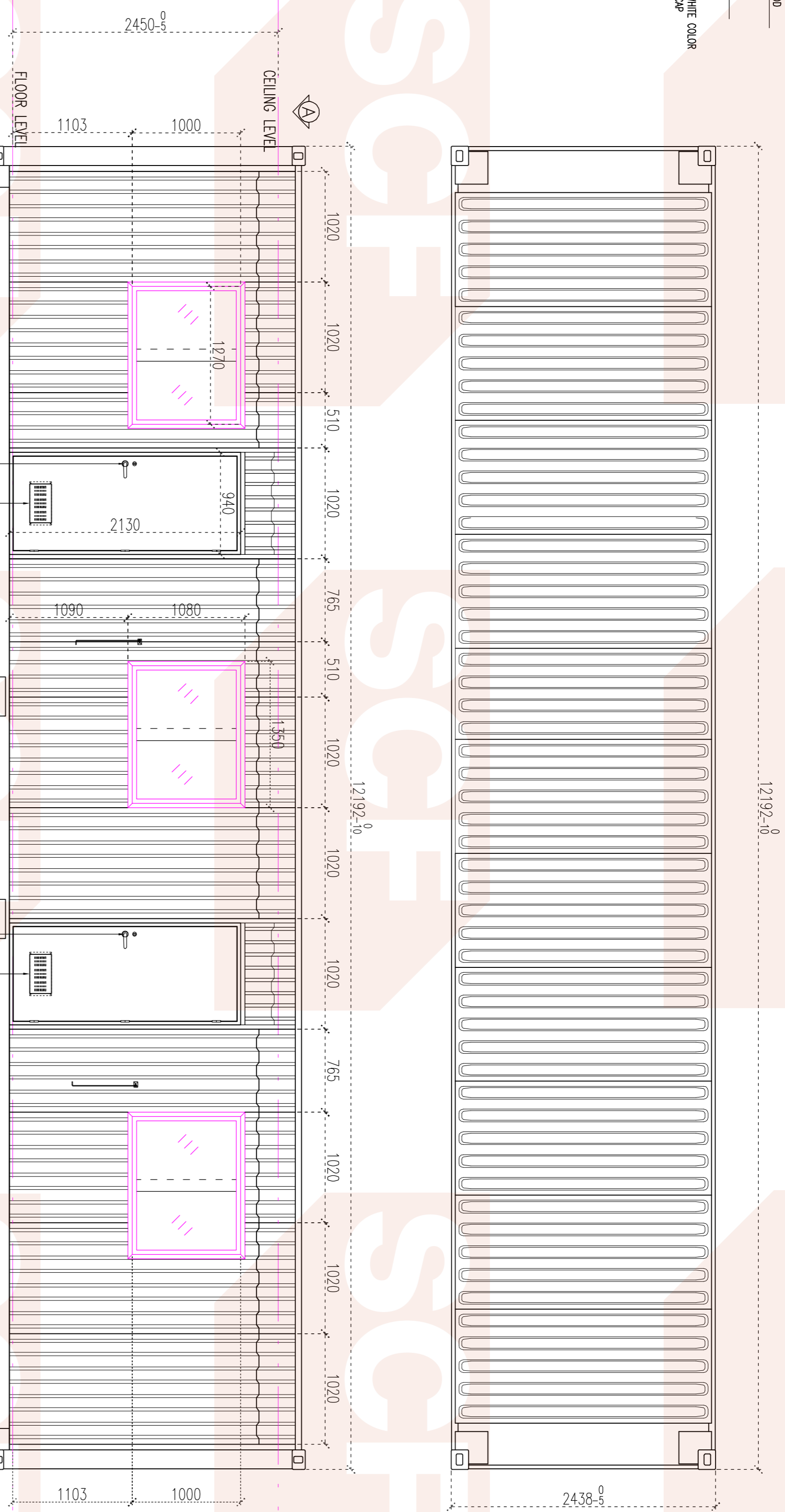
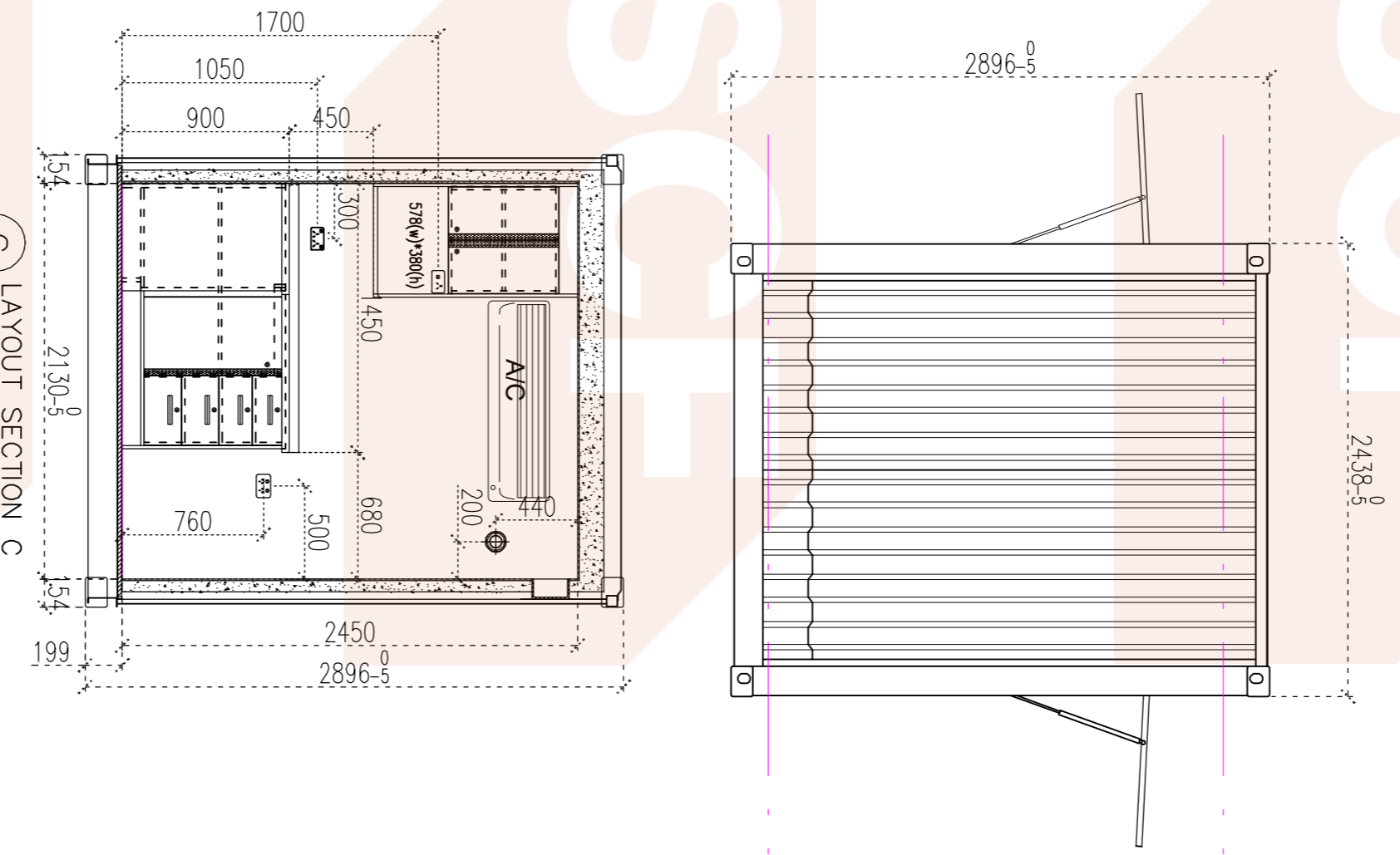
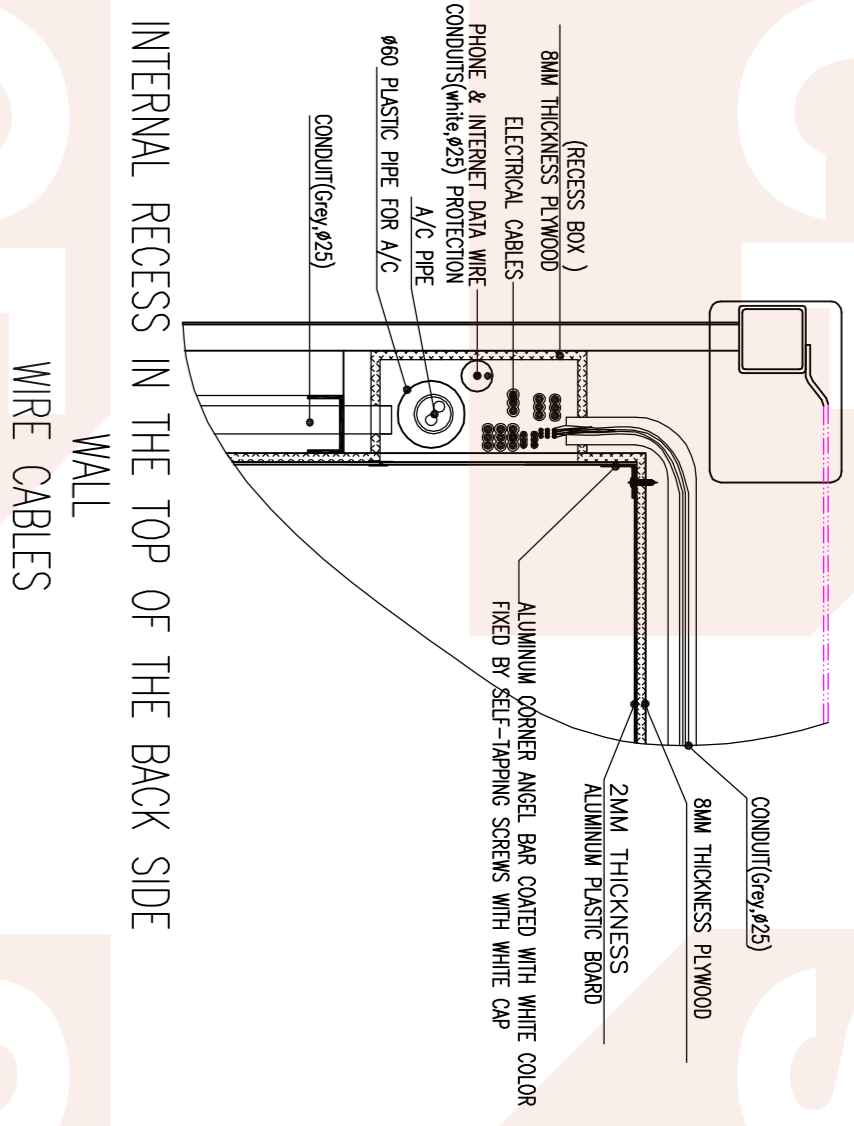
| ITEM | DRAWING NO. | DESCRIPTION | QTY | MATERIAL & SIZE | WEIGHT(kg) | LENGTH(mm) |
|------|---------------|--------------------------------------|-----|-----------------------------|------------|-------------|
| 1 | SCF20FF.00.01 | Side rail | 2 | 240*80*9mm PFC/Q345 | 349.3 | L=5702 |
| 2 | SCF20FF.00.02 | End rail | 4 | 240*80*9mm PFC/Q345 | 119.6 | L=976 |
| 3 | SCF20FF.00.03 | Forklift pocket | 2 | 240*80*9mm PFC/Q345 | 148.9 | L=2430 |
| 4 | SCF20FF.00.04 | Longitudinal rail | 4 | 147*74mm UB/Q235 | 261.5 | L=5890 |
| 5 | SCF20FF.00.05 | Floor joist-1 | 8 | 40*80*3mm C profile/SPA-H | 11.3 | L=404 |
| 6 | SCF20FF.00.06 | Floor joist-3 | 12 | 40*80*3mm C profile/SPA-H | 20.2 | L=482 |
| 7 | SCF20FF.00.07 | Floor | 5 | 3mm Checker panel/Q235 | 326.5 | 1190*2330 |
| 8 | SCF20FF.00.08 | Welded corner filling with 10mm wall | 2 | 20mm Plate/Q345 | 44.9 | 178*162*260 |
| 9 | SCF20FF.00.09 | Block between casting | 4 | 4mm Plate/Q345 | 148.9 | 174*158 |
| 10 | SCF20FF.00.10 | FLP bottom plate | 8 | ISO Standard/SCW480 | 88.0 | 178*162*118 |
| 11 | SCF20FF.00.11 | FLP bottom plate | 4 | 6mm Plate/SPA-H | 9.0 | 240*200 |
| 12 | SCF20FF.00.12 | Lashing ring | 14 | Ø12mm/Q235 | Standard | Standard |
| 13 | SCF20FF.00.13 | Handrail pocket | 18 | 75*75*6mm SHS/Q235 | 55.6 | L=233 |
| 14 | SCF20FF.00.14 | Pocket base plate | 18 | 10mm Plate/Q235 | 3.2 | 30*75 |
| 15 | SCF20FF.00.15 | Bolt & Nut | 36 | M12*30 bolt & nut/8.8 Grade | Standard | Standard |

TOTAL WEIGHT: 15886.9

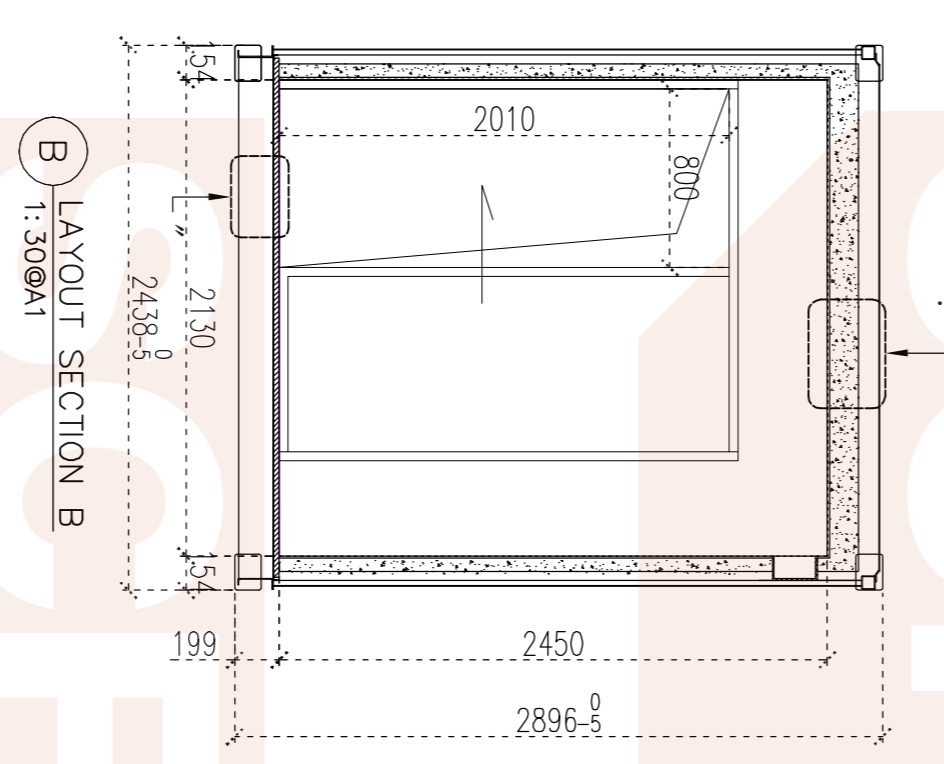
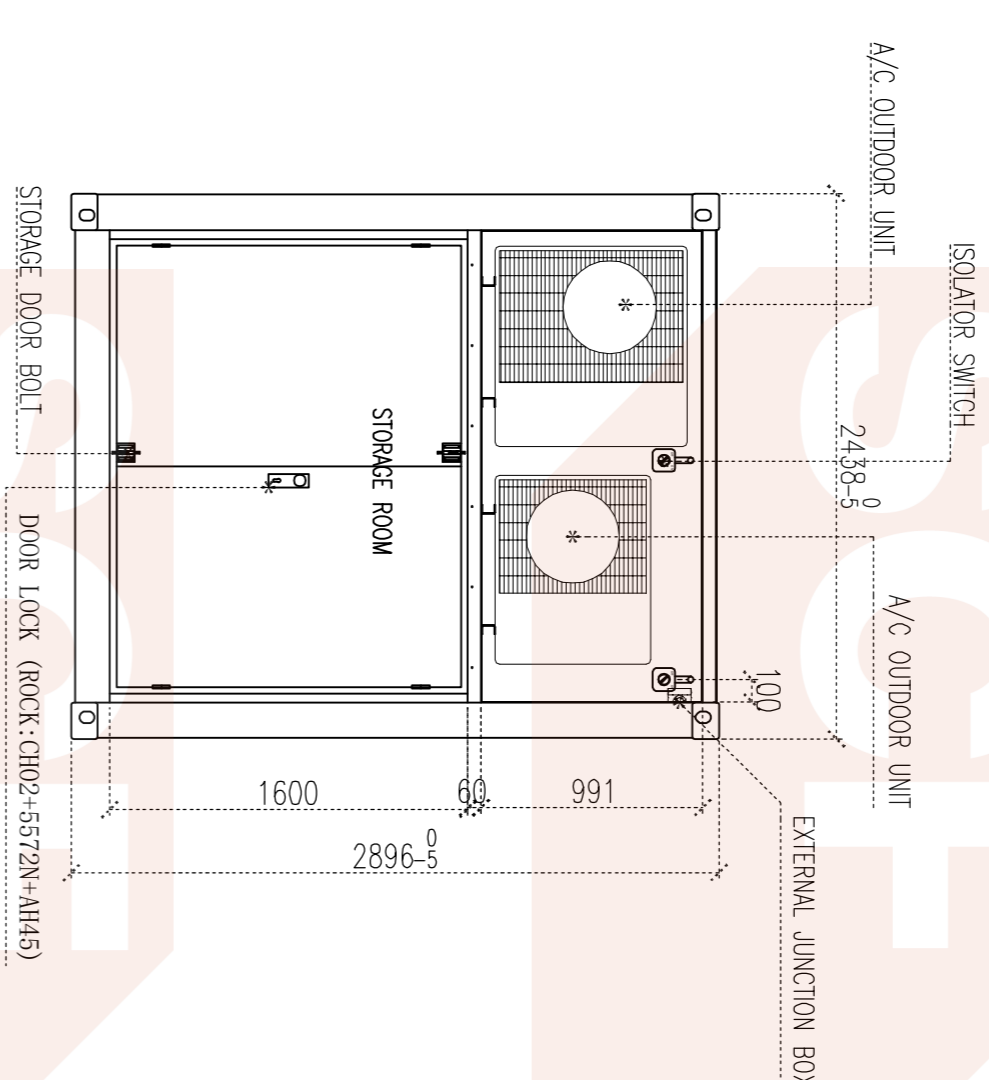


| | | | | | | | | | |
|-----------------|-----|---------------|---------------|-----------|------|---------------|-------------|-------|---------|
| TITLE: PLATFORM | | MARK QTY AREA | REV. FILE NO. | SIGNATURE | DATE | DRAWING NO: | PROJECTION: | SCALE | EDITION |
| | | DESIGNED | DATE | DATE | | SCF20FF.00.00 | 1:15 | A1 | |
| CHECKED | ZZX | 17.7.27 | APPROVED | | | | | | |

NOTE: THIS DRAWING AND THE COPYRIGHT THEREIN ARE THE PROPERTY OF THE MASTER CO.,LTD., THE DRAWING MUST NOT BE USED, COPIED OR EXHIBITED WITHOUT THE WRITTEN PERMISSION OF THE MARISTAR CO.,LTD.

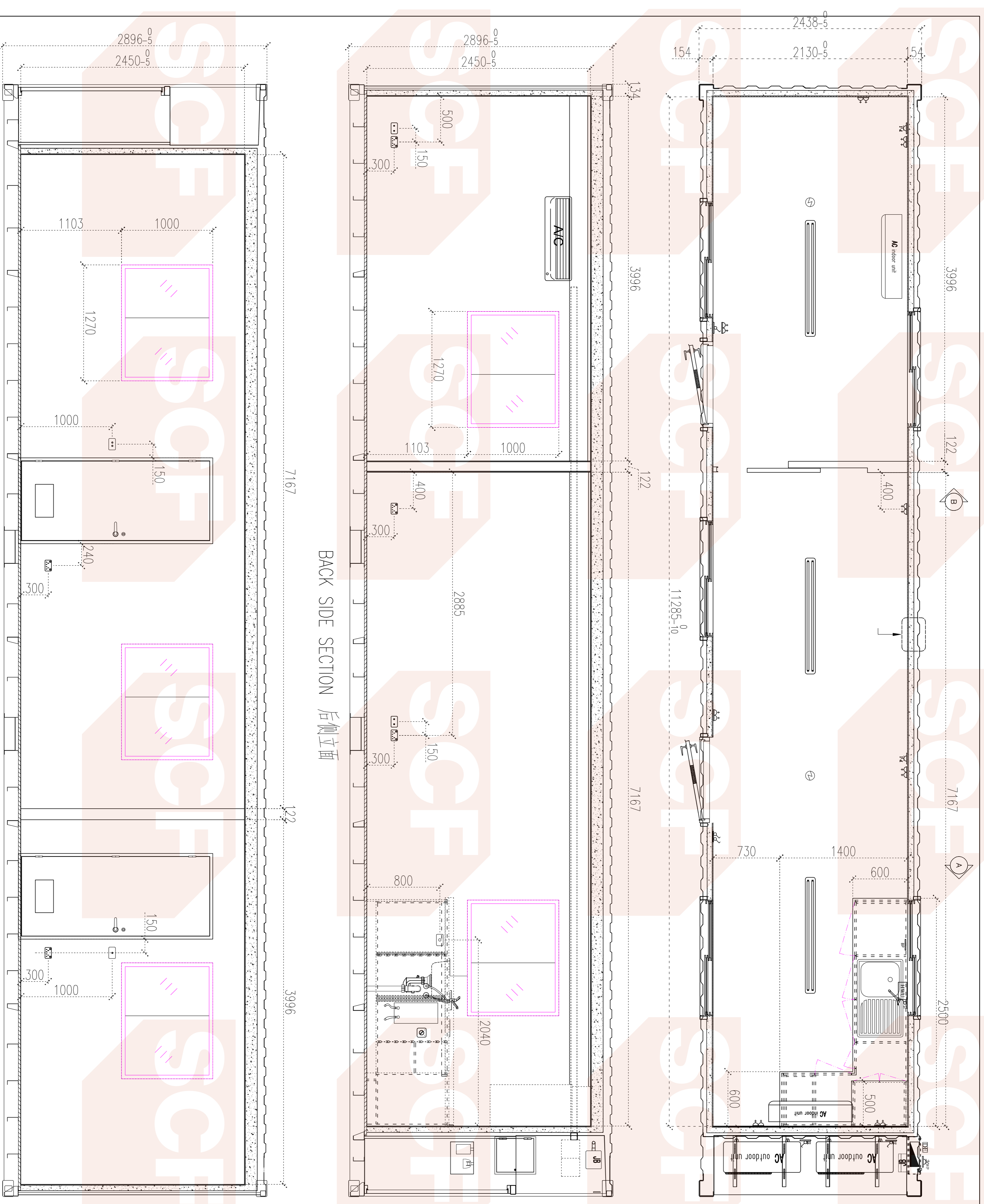


| PART NAME | MATERIAL | REMARK (Thickness) |
|-----------------|--------------------------|---------------------------------|
| SIDE RAIL | SS400 | 4.5mm |
| END RAIL | SS400 | 4.0mm |
| CORNER POST | SM490 | 6.0mm |
| GROSS MEMBER | SS400 | 3.0mm |
| PANEL SIDE | CORTENA | 16mm |
| PANEL FRONT | CORTENA | 16mm |
| WINDOW FRAME | PVC | 1770(Wx)-100(H) Thickness:2.5mm |
| FLOOR | PLYWOOD | Thickness:25mm |
| WALL & CEILING | AL-PLASTIC BOARD | Thickness:2.5mm |
| CORNER SKRTINGS | ALUMINIUM ANGLE | 30x30x2.0mm |
| INSULATION | ROCKWOOL(CSR, Ø=60/Ø=63) | Size:6mm Ref:150mm |
| VINYL | READ 5023 | Thickness:2.0mm |
| FURNITURE | MDF melamine board | WHITE COLOR |



| CLASSIFICATION | LENGTH | WIDTH | HEIGHT | INTERNAL LENGTH | INTERNAL WIDTH | INTERNAL HEIGHT | DOOR OPENING | TARE WEIGHT | MAXIMUM GROSS WEIGHT | MAXIMUM PAYLOAD |
|-------------------------|--------|--------|--------|-----------------|----------------|-----------------|--------------|-------------|----------------------|-----------------|
| EXTERNAL | 12192 | 2438 | 2010 | 11285 | 2130 | 1881 | 2010 | 5300 | 15,000 | 9,700 |
| INTERNAL | | | | | | | | | | |
| INTERNAL CLEAR CAPACITY | 591 | 2087 | 2087 | | | | | | | |
| DOOR OPENING | 2010 | 815 | 815 | | | | | | | |
| TARE WEIGHT | 5300 | 5300 | 5300 | | | | | | | |
| MAXIMUM GROSS WEIGHT | 15,000 | 15,000 | 15,000 | | | | | | | |
| MAXIMUM PAYLOAD | 9,700 | 9,700 | 9,700 | | | | | | | |

SCF Group
SCF Group - Built to Contain
 DRAWING NO. SCF-HD/KE.00.00.0
 DESIGN HTJ 2023.77 APPROVED
 TITLE: GENERAL ASSEMBLY
 4P/K/GENERAL ASSEMBLY V2
 SHEET 6 OF 6

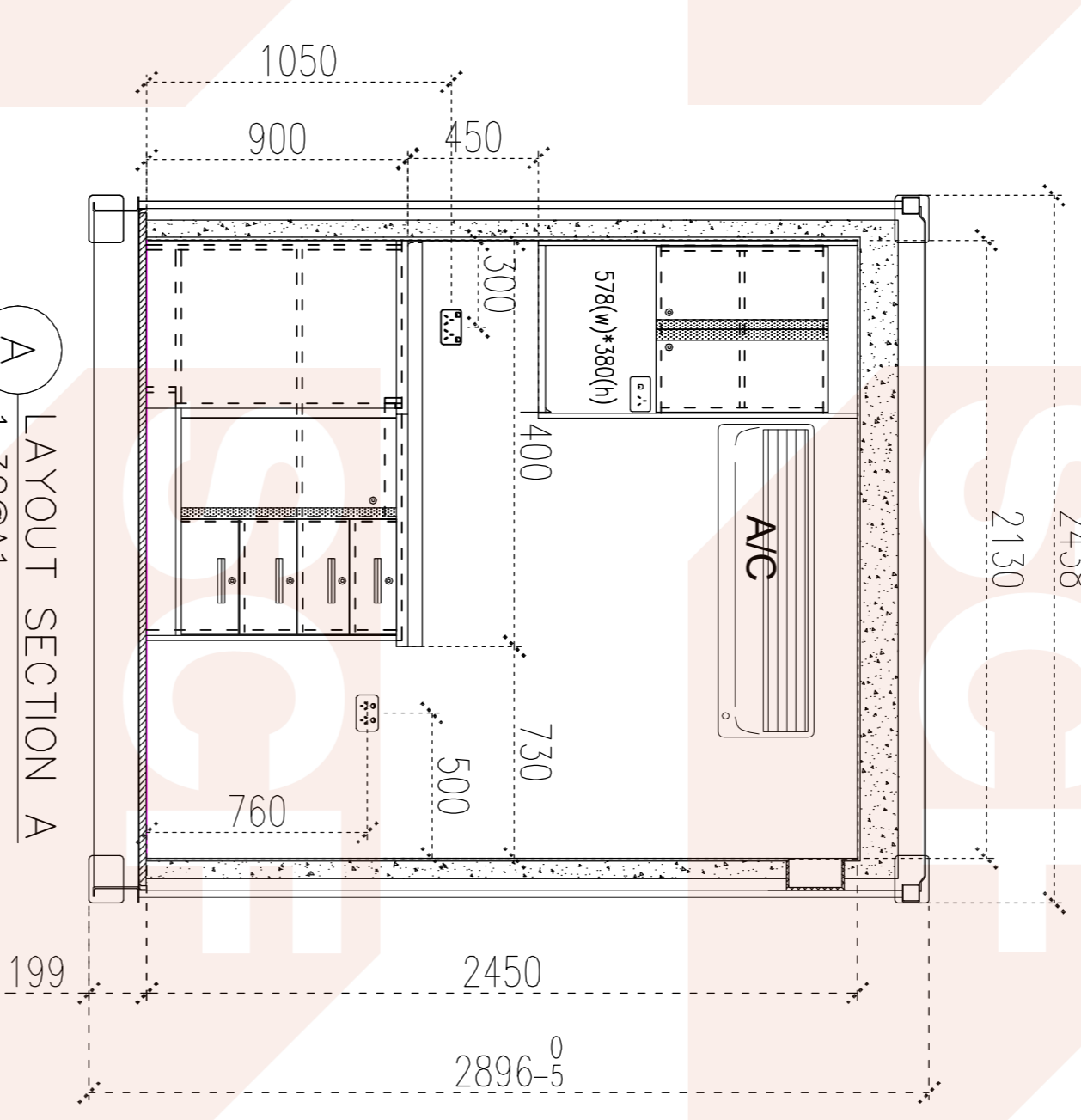
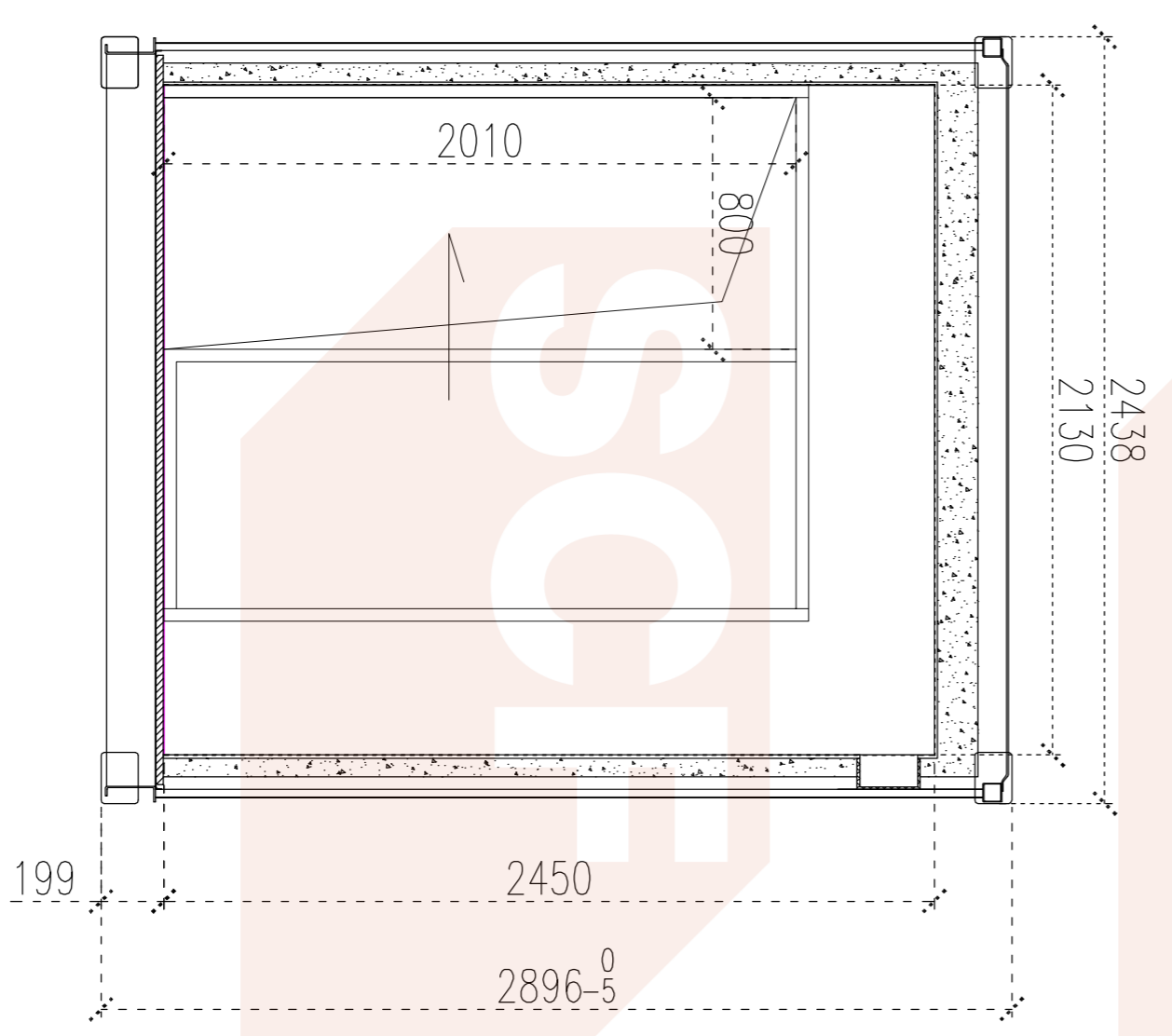


FRONT SIDE SECTION 前侧立面

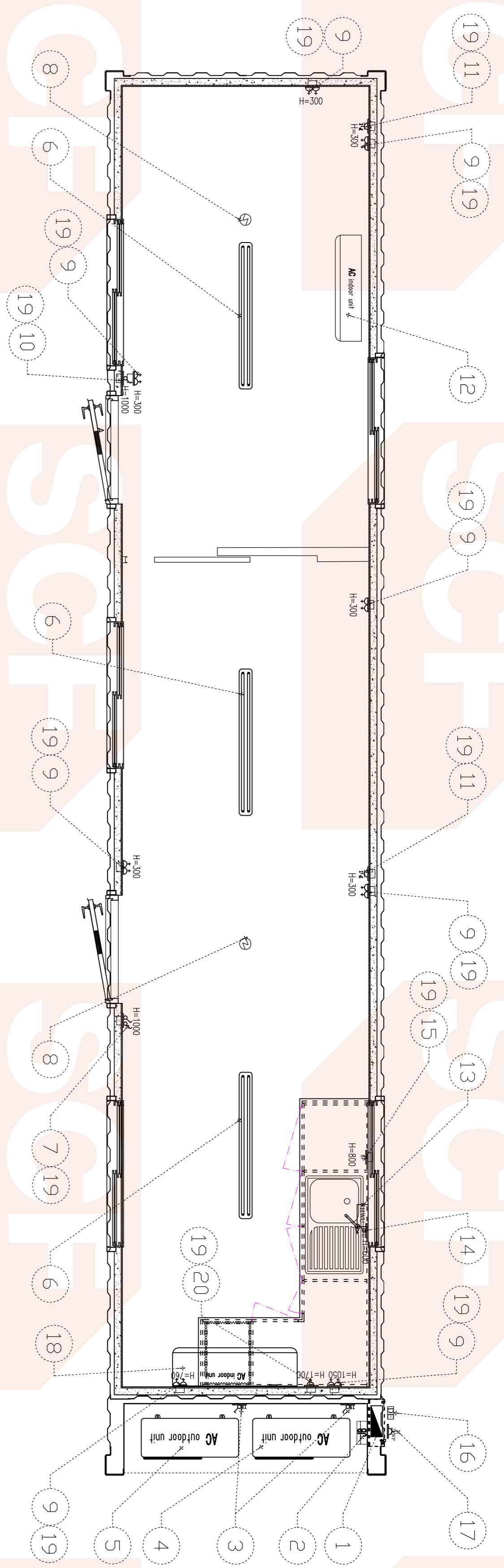
BACK SIDE SECTION 后侧立面

B LAYOUT SECTION B
1: 30@A1

A LAYOUT SECTION A
1: 30@A1



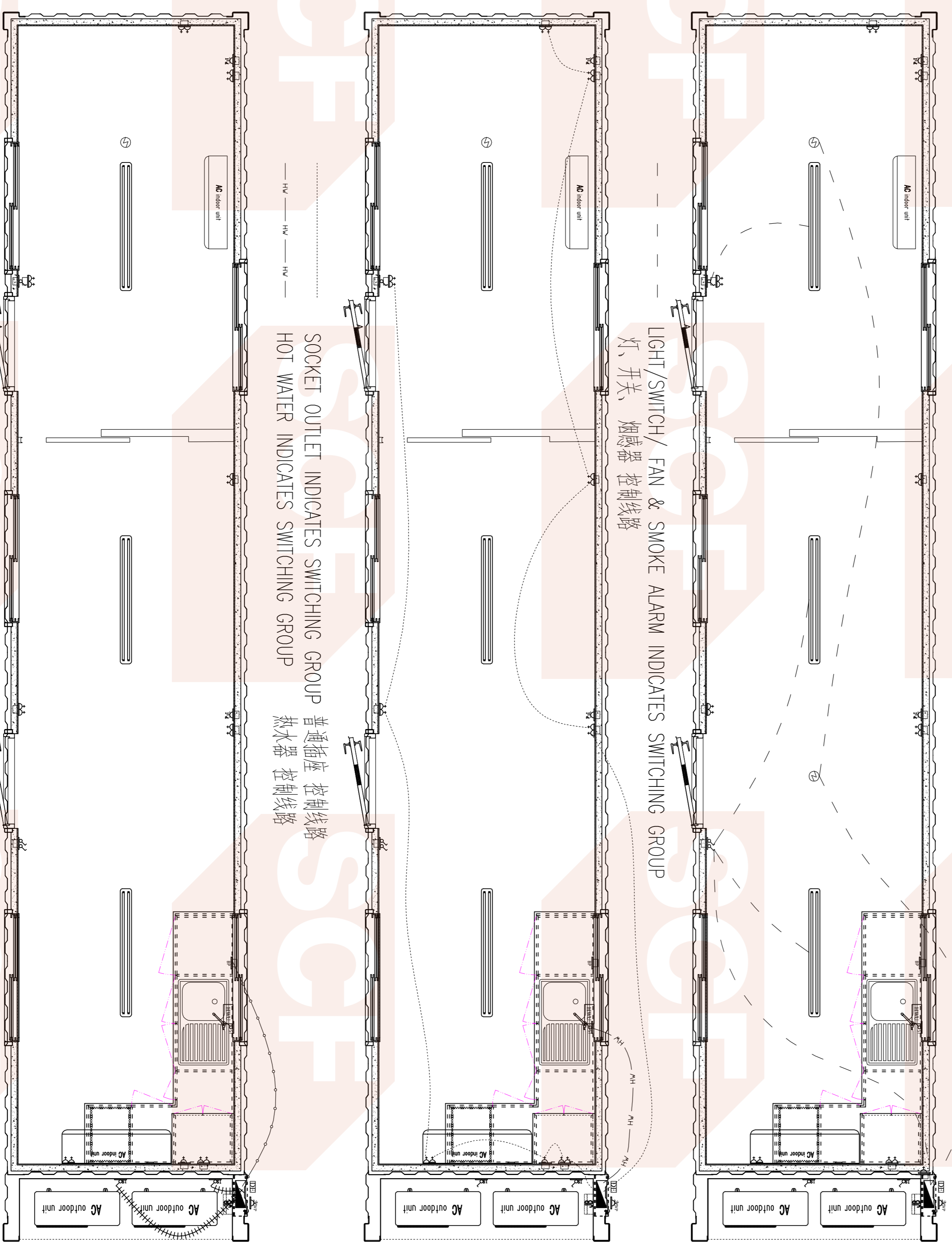
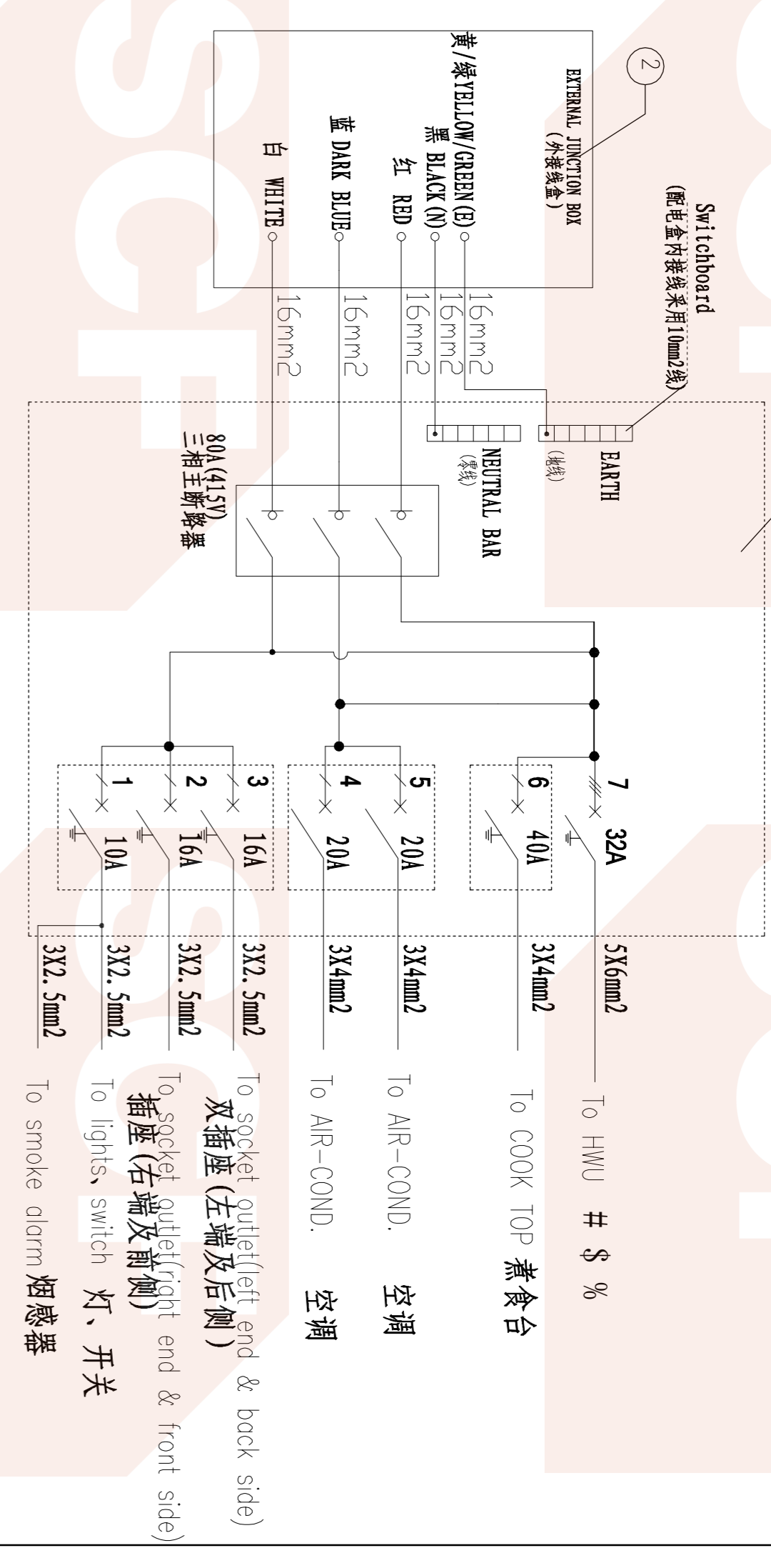
| | | | | | | | |
|---------------------|-----|-------------------------------------|----------|--------------------------------|---------|---------------------------------|--------|
| SCF Group | | SCF Group - Built to Contain | | DRAWING NO.: SCF 40/KE.00.00.1 | | OWNER: 40 KARNIVAL ESSENTIAL V2 | |
| DESIGN | ZX | 2012.3.27 | APPROVED | | | | |
| CHECK | HYJ | 2012.3.27 | | | | | |
| | | | | 6 | 12/04/2 | A1 | 1 OF 1 |
| SECTION PLAN | | | | 立视图 | | | |



LIGHT/SWITCH/ FAN & SMOKE ALARM INDICATES SWITCHING GROUP
灯、开关、烟感器 控制线路

SOCKET OUTLET INDICATES SWITCHING GROUP
普通插座 控制线路
HOT WATER INDICATES SWITCHING GROUP
热水器 控制线路

AIR-CONDITIONER INDICATES SWITCHING GROUP
空调 控制线路
COOK TOP INDICATES SWITCHING GROUP
煮食台 控制线路



| | | | | |
|----|---|----|-------------|----------|
| 20 | Single socket 10amp 单插座 10A | 1 | C2015 | Clipsol |
| 19 | Shroud STD MTG ACC Black 绝缘罩 | 15 | 90B | Clipsol |
| 18 | Air-cond. inner unit 空调内机 | 1 | | |
| 17 | 10 A single weatherproof socket 防水单插座 | 1 | WSC227 | Clipsol |
| 16 | 30 pair weatherproof telephone enclosure 网络接线盒 | 1 | 3100101D/FL | Clipsol |
| 15 | Blank plate 空白面板 | 1 | C2031VX | Clipsol |
| 14 | 32Amp Isolator switch 热水器用隔离开关 | 1 | 565SW332 | Clipsol |
| 13 | Hot Water 热水器 | 1 | DEL18 | |
| 12 | Air-cond. inner unit 空调内机 | 1 | | |
| 11 | Twin R4/5 Cat 5e Outlet 双网插座 | 2 | 2032V/RJA5 | Clipsol |
| 10 | Single Light Switch 10amp 10A 单开关 | 1 | C2031VA | Clipsol |
| 9 | Double socket 10amp 双插座 10A | 8 | C2025 | Clipsol |
| 8 | Alarm(PHOTOELECTRIC -OPTICAL) 感应器 | 2 | EB146 | Brooks |
| 7 | Double Light Switch 10amp 10A 双开关 | 1 | C2032VA | Clipsol |
| 6 | Fluorescent light 2x36w 双管荧光灯 | 3 | EMPB236AC | Stanlite |
| 5 | Air-cond. out unit 空调外机 | 1 | | |
| 4 | Air-cond. out unit 空调外机 | 1 | | |
| 3 | Isolator switch 20A 隔离开关 | 2 | 565W120 | Clipsol |
| 2 | External junction box 外部接线盒 | 1 | LUC50866 | Clipsol |
| 1 | Distribution box (24P) 明装配电箱 | 1 | | |
| | 80Amp Main Switch 3 Phase 三相主开关 | 1 | 4PSW380 | Clipsol |
| | 10Amp Combined RCD/MCB 断路器 10A, 2P | 1 | 4RCBM210/30 | Clipsol |
| | 16Amp Combined RCD/MCB 断路器 16A, 2P | 2 | 4RCBM216/30 | Clipsol |
| | 20Amp MCB 断路器 20A, 1P | 2 | 4CB120/10 | Clipsol |
| | 32AMP Circuit Breakers, Triple Pole 断路器 40A, 2P | 1 | 4CB332/6 | Clipsol |
| | 40Amp Combined RCD/MCB 断路器 40A, 2P | 1 | 4RCBM240/30 | Clipsol |

SCF Group™

GENERAL ASSEMBLY

40' KIKRINAL ESSENTIAL V2

SCF Group - Built to Contain

DESIGN ZX 2002.3.27

CHECK HVI 2002.3.27

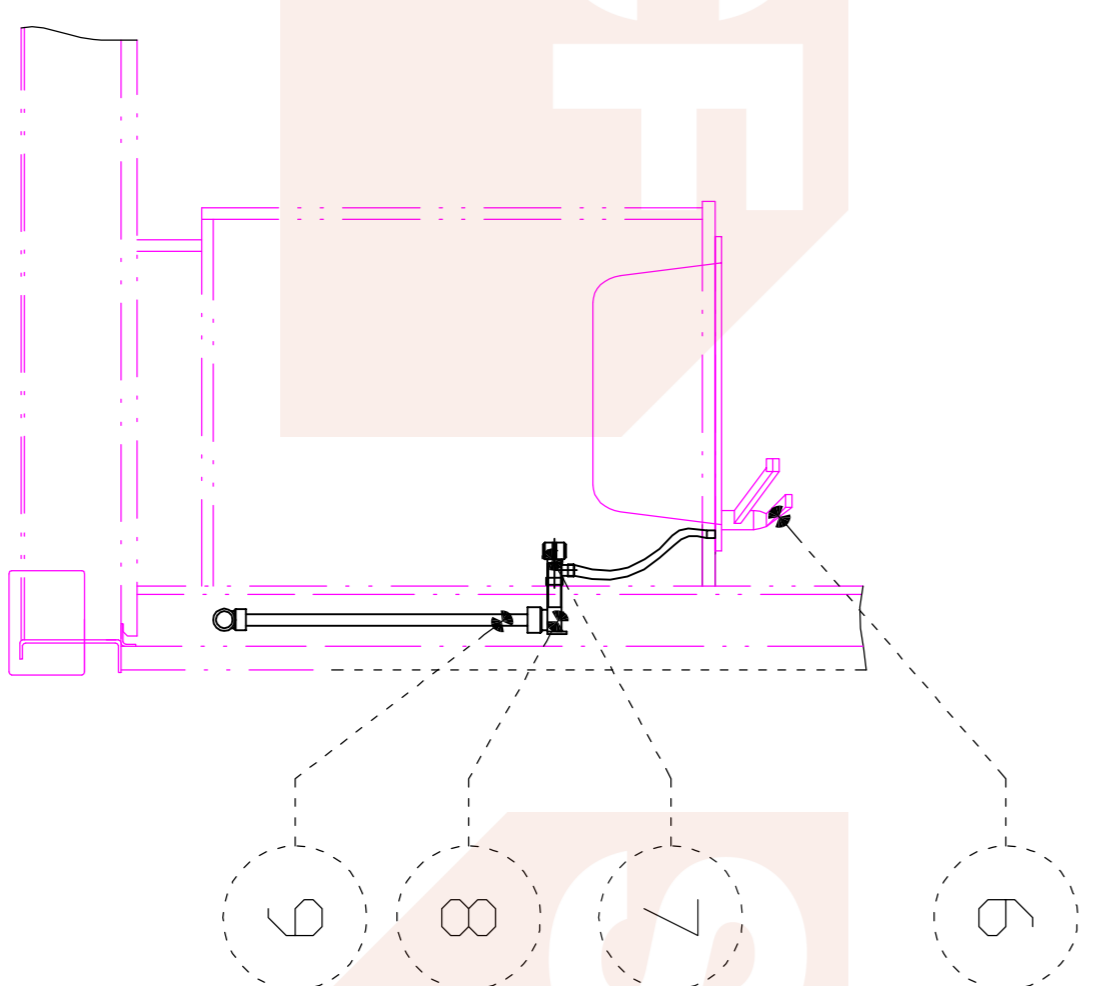
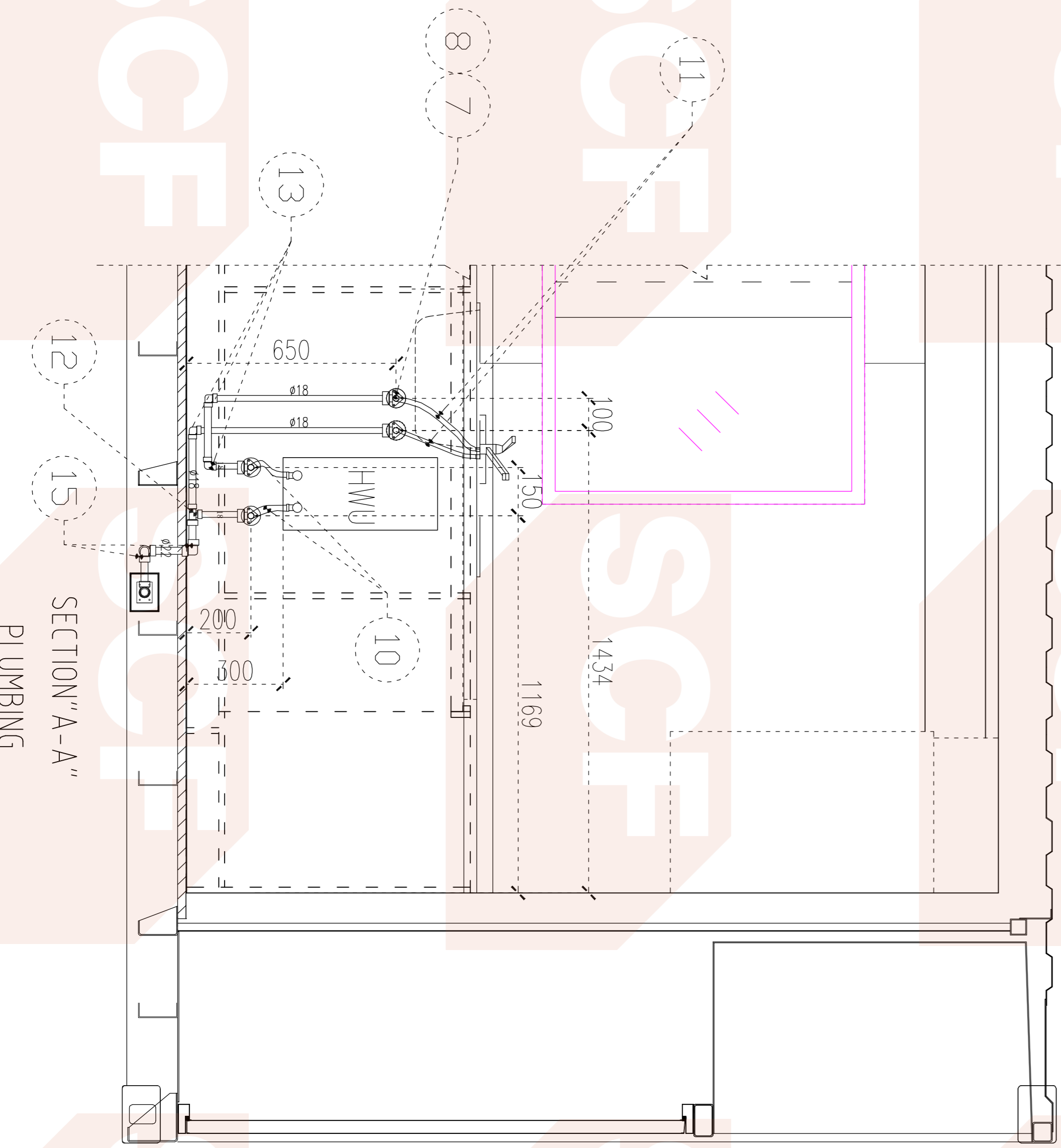
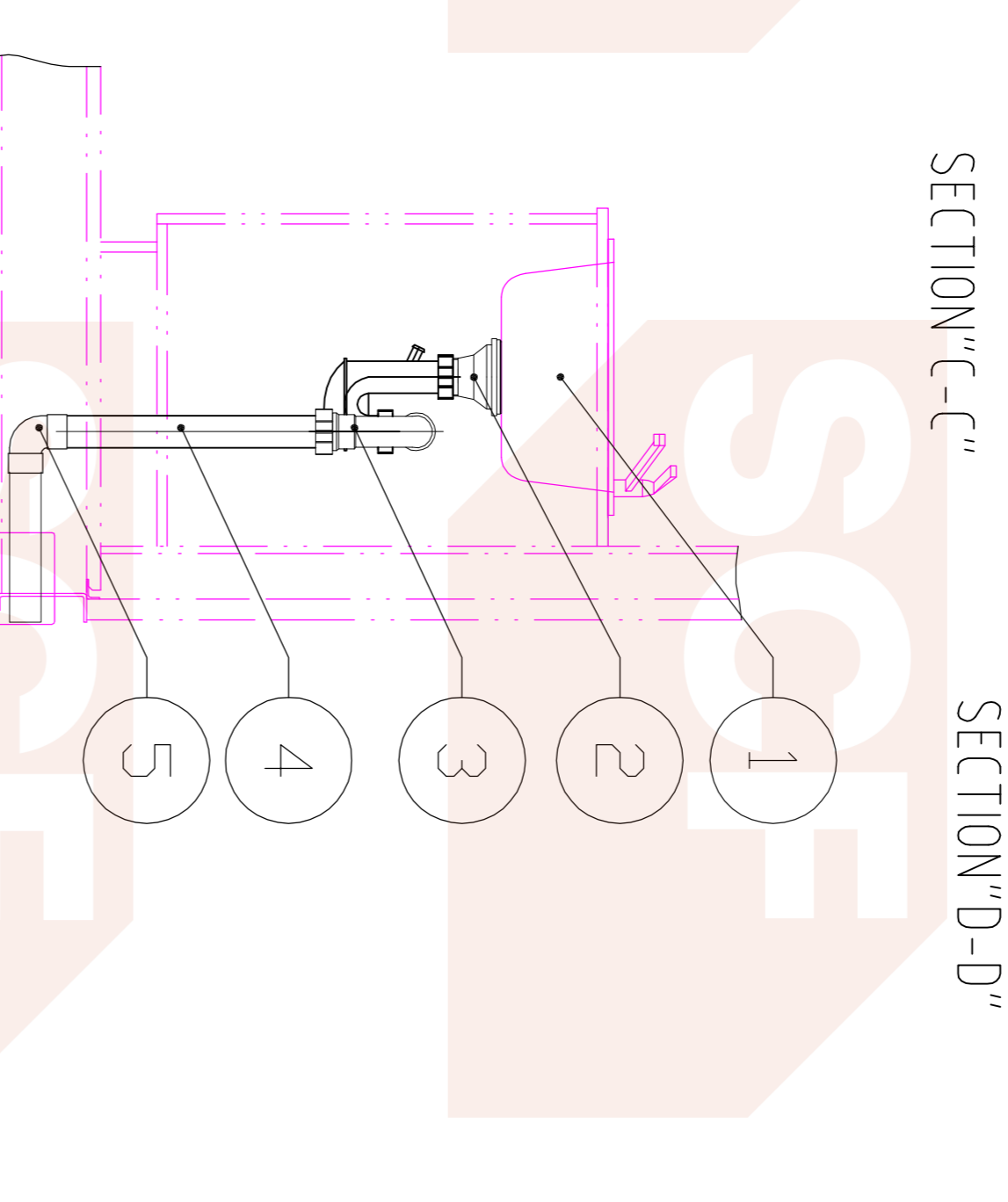
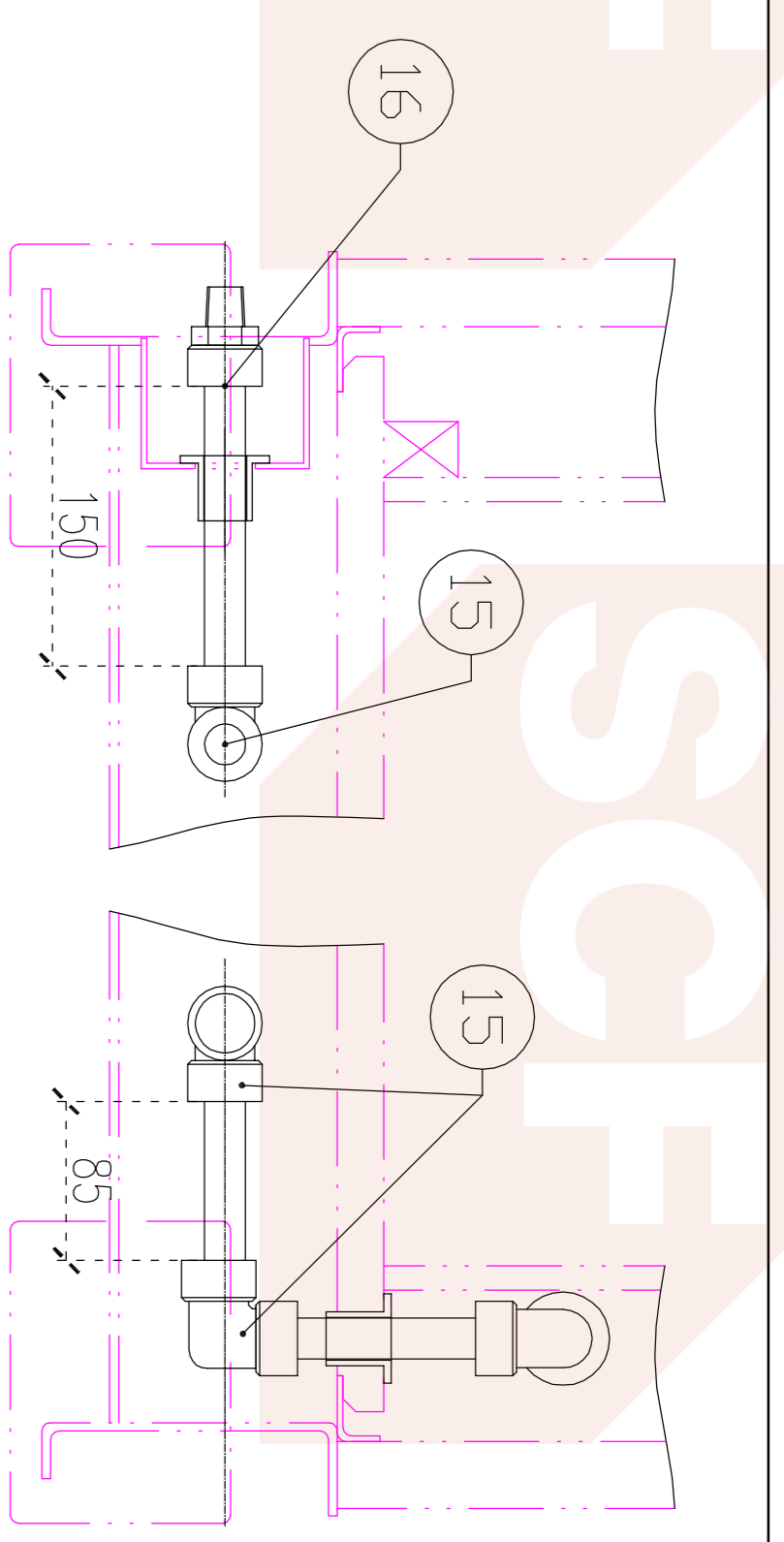
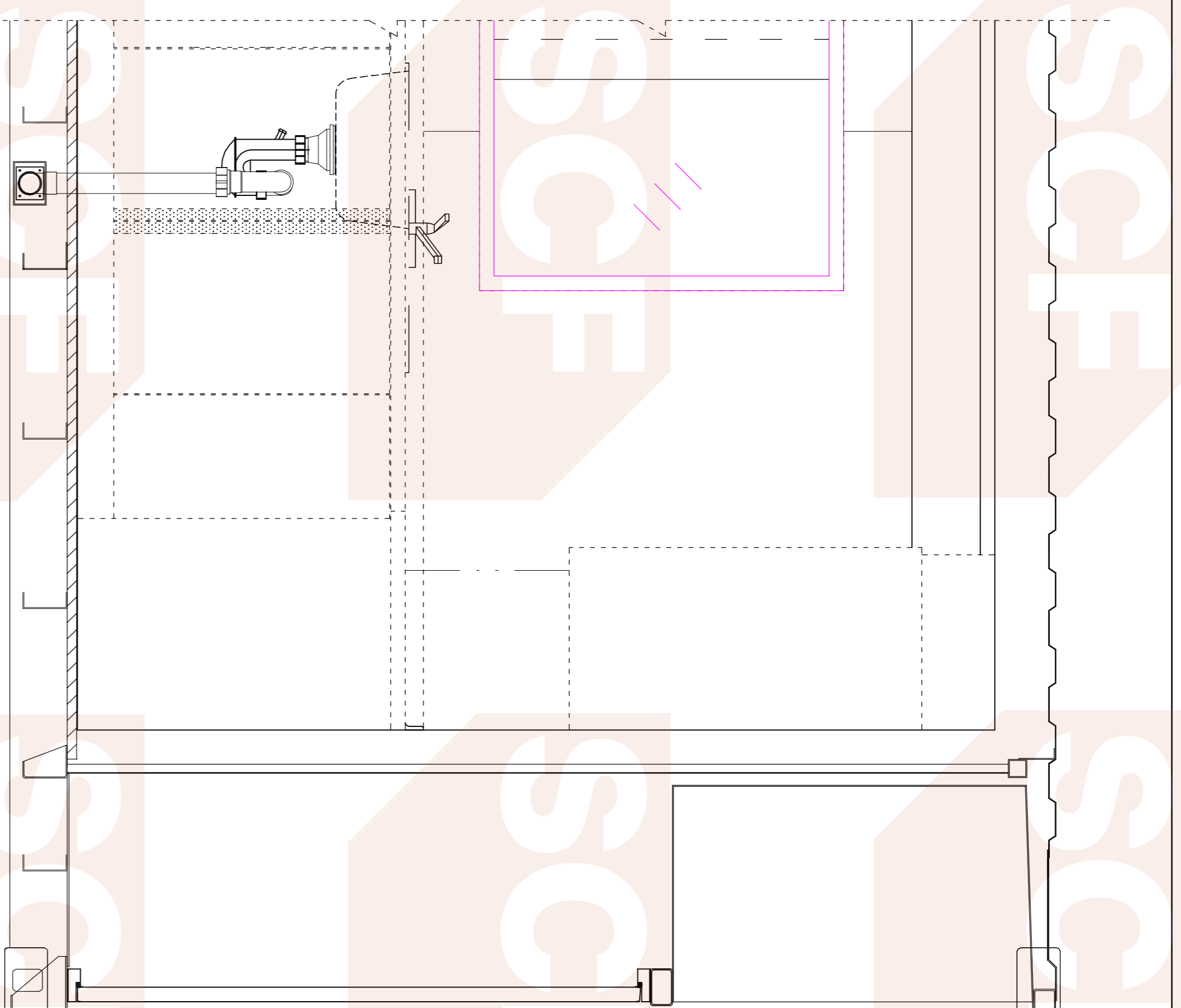
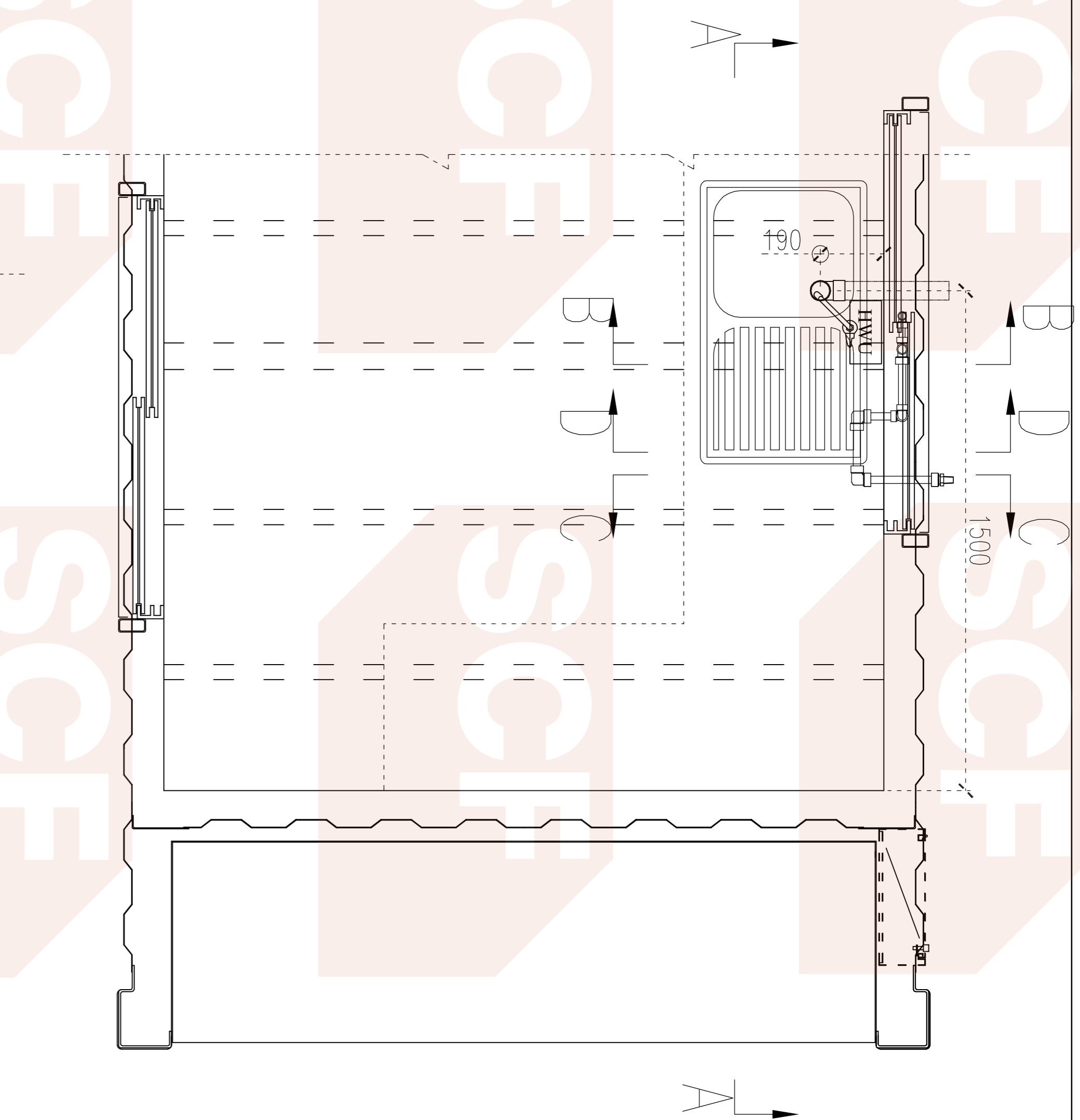
APPROVED

6

130@A1

A1

1 OF 1



| 序号 | 名称 | 数量 | 规格 | 备注 |
|----|---|----|----------------|--------|
| 16 | 外牙直接 | 1 | 22mm*3/4" | Hep2-O |
| 15 | 90°弯头 | 4 | 22mmX22mm | Hep2-O |
| 14 | 5/6寸 (90°弯头) | 1米 | 22mm | Hep2-O |
| 13 | 90°弯头 | 3 | 18mmX18mm | Hep2-O |
| 12 | 8/9寸 ; ; | 1 | 22mmX18mmX18mm | Hep2-O |
| 11 |)* + 用连接软管 | 1 | L=550mm | 为一根 |
| 10 | 热水器用连接软管 | 2 | 热水器用带 | 为一根 |
| 9 | 5/6寸 () | 3米 | 18mm | Hep2-O |
| 8 | 1/2寸 3/4寸 / 0 | 4 | 18mm*1/2" | Hep2-O |
| 7 |)* + , \$ - . | 3 | | |
| 6 | 1/2寸 转接头 | 1 | | |
| 5 | Ø50*88° 弯头 | 1 | Ø50*88° | 进口 |
| 4 | 50 UPVC Pipe | 1米 | Ø50 | 八达 |
| 3 | 50 SI " # \$ % | 1 | Ø50 | 进口 |
| 2 | 洗碗盆落水 50 mm Cage, plug & washer(for kitchen sink) | 1 | Ø50 | 菜茵 |
| 1 | 洗碗盆 (带软管) | 1 | RH4346 | 菜茵 |

SCF Group
SCF Group - Built to Contain

DRAIN & PLUMBING
给排水布置图

DRAWING NO.: SCF40/KE.00.14.0

OWNER: 40 KARINGAL ESSENTIAL V2

| | | | | | | | |
|--------|-----|-----------|----------|---|---------|----|--------|
| DESIGN | ZX | 2012.3.21 | APPROVED | 6 | 1:20@A2 | A1 | 1 OF 1 |
| CHECK | HY1 | 2012.3.21 | | | | | |