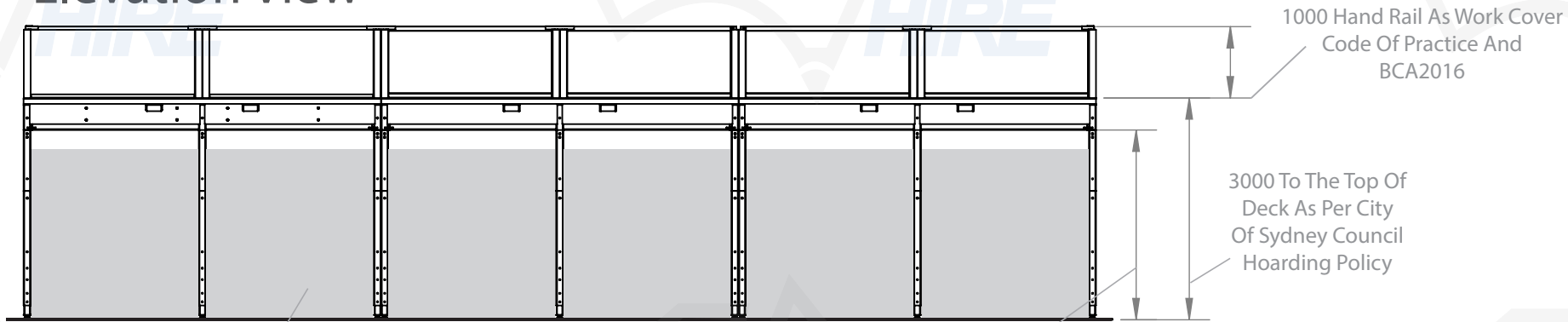


SPEEDY GANTRY HIRE TYPICAL SECTION 1.5M WIDE UNIT

Elevation View



1000 Hand Rail As Work Cover
Code Of Practice And
BCA2016

3000 To The Top Of
Deck As Per City
Of Sydney Council
Hoarding Policy

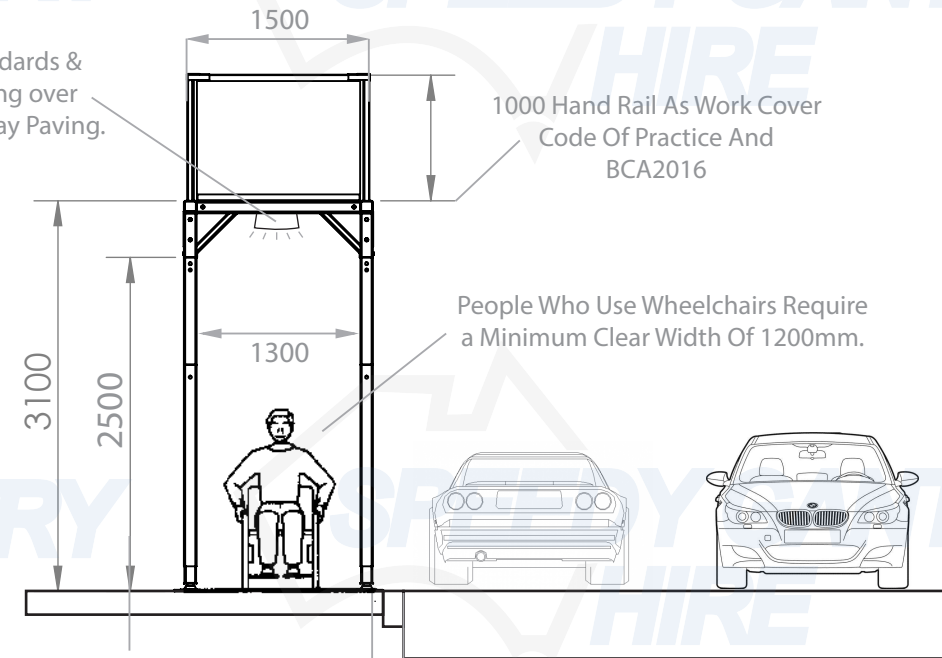
2500 Clearance to Knee Brace
AS per City of Sydney Council Policy.

A- Class Fence

- A- Class Hoarding extended to underside of Hoarding Deck.
1200mm Wide Structural Grade Plywood Sheets, Having thickness
of at least 17mm.
Sheets to be butt joined and All Fixings used are Countersunk Screws.
PLY to be black as graphics will be imposed over top.

Lighting
Must meet minimum standards &
Provide additional Lighting over
Ramps and Disrupted Footway Paving.

End Section View



1000 Hand Rail As Work Cover
Code Of Practice And
BCA2016

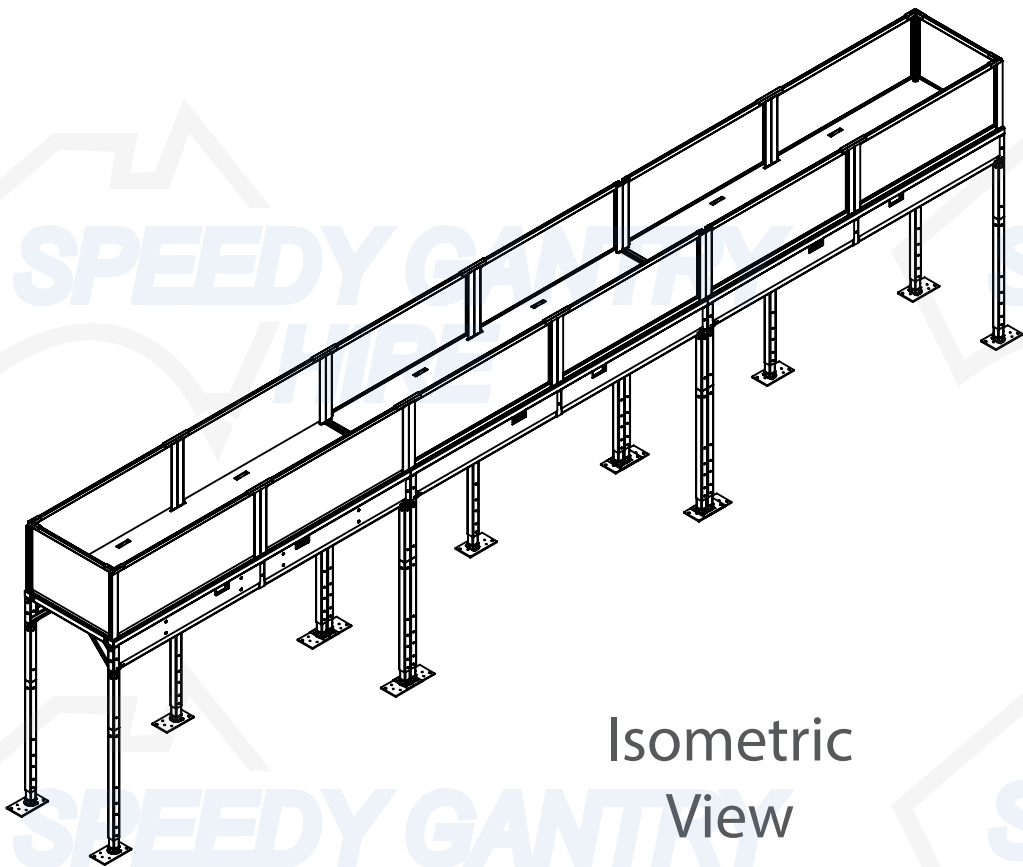
People Who Use Wheelchairs Require
a Minimum Clear Width Of 1200mm.

Knee Bracing 2500mm
As Per City of Sydney Council Policy
(2200mm Min As Per
Work Cover Code Of Practice)

300 Set back From Face Of Curb
As Per City Of Sydney Council Hoarding
Policy And Work Cover Code Of Practice
(250 As Per Work Cover Code Of Practice)

Site Fence

-Must extend to underside of
hoarding deck.
- 1200mm wide structural grade
plywood sheets of at least 17mm.
-Sheets Must be butt joined &
all fixings to be countersunk.
-Incorporate graphics & colours
where required.



Isometric
View

Council Notes:
1. Standard: To AS4100-1990
2. Steel Grades: U.N.O
Minimum Yield Strength:
Plate 250MPa
RHS & SHS 350MPa Retrofitted
Gantry
450MPa New Gantry
CHS 250 MPa
3. Unless Noted Otherwise:
(i) Use 6mm Continuous Fillet Weld
(CFW)
(ii) Use 10mm Thick Plates
(iii) Use W50X or E48XX Electrodes
(iv) Use M20 8.8/S Bolts
4. Protective Treatment:
All Steelwork To Be Painted With An
Approved Protection System.

Revision Table:	
NO:	DATE: DESCRIPTION:

Drawing Scale: **1:90**
Sheet Size: **A3**

This drawing and any information or
descriptive material set out on it
are the confidential and copyright property
of Speedy Gantry Hire. © and MUST NOT BE
DISCLOSED, COPIED, LOANED in whole or part
or used for any purpose without the
written permission of Speedy Gantry Hire.

Document Type:
Company Confidential

Legal Owner:
Speedy Gantry Hire, 95-97 Stanley Road Ingleburn,
1300 Gantry, jf@speedygantry.com.au

Builder: Speedy Gantry Hire Pty Ltd.	
Site Address: 95-97 Stanley Road Ingleburn,	
Drawn by: Gregory Georgiou	Drawn Date: 13/08/19
Checked/Approved by: Joshua Foy	Checked/Approved Date:
Associated drawing numbers	
Drawing Number:	Job Number:
Revision:	Issue:
Sheet:	