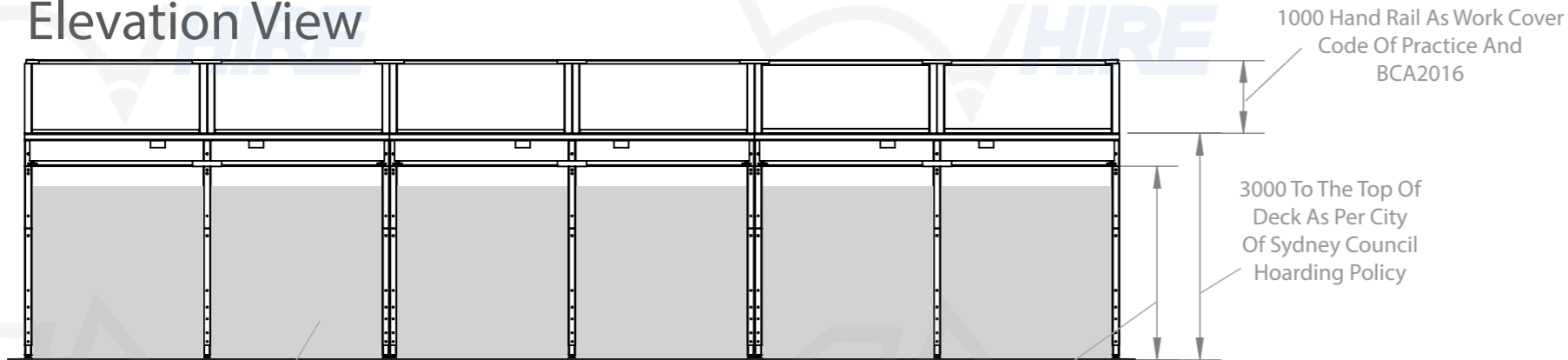


# SPEEDY GANTRY HIRE TYPICAL SECTION 1.8M WIDE UNIT

Elevation View



1000 Hand Rail As Work Cover  
Code Of Practice And  
BCA2016

3000 To The Top Of  
Deck As Per City  
Of Sydney Council  
Hoarding Policy

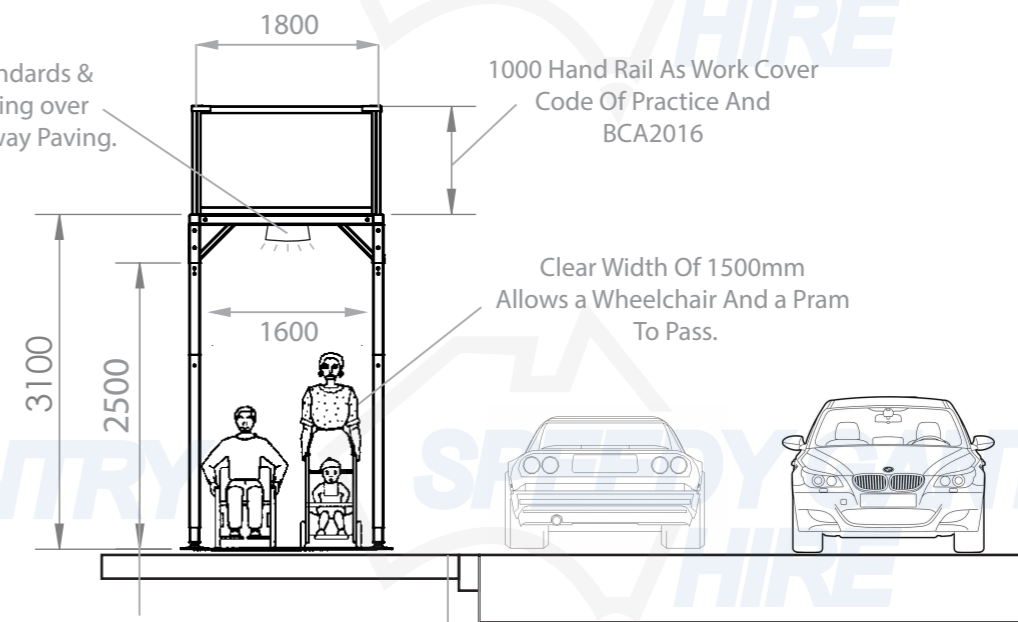
2500 Clearance to Knee Brace  
AS per City of Sydney Council Policy.

**A- Class Fence**

- A- Class Hoarding extended to underside of Hoarding Deck.  
1200mm Wide Structural Grade Plywood Sheets, Having thickness  
of at least 17mm.  
Sheets to be butt joined and All Fixings used are Countersunk Screws.  
PLY to be black as graphics will be imposed over top.

End Section View

Lighting  
Must meet minimum standards &  
Provide additional Lighting over  
Ramps and Disrupted Footway Paving.



1000 Hand Rail As Work Cover  
Code Of Practice And  
BCA2016

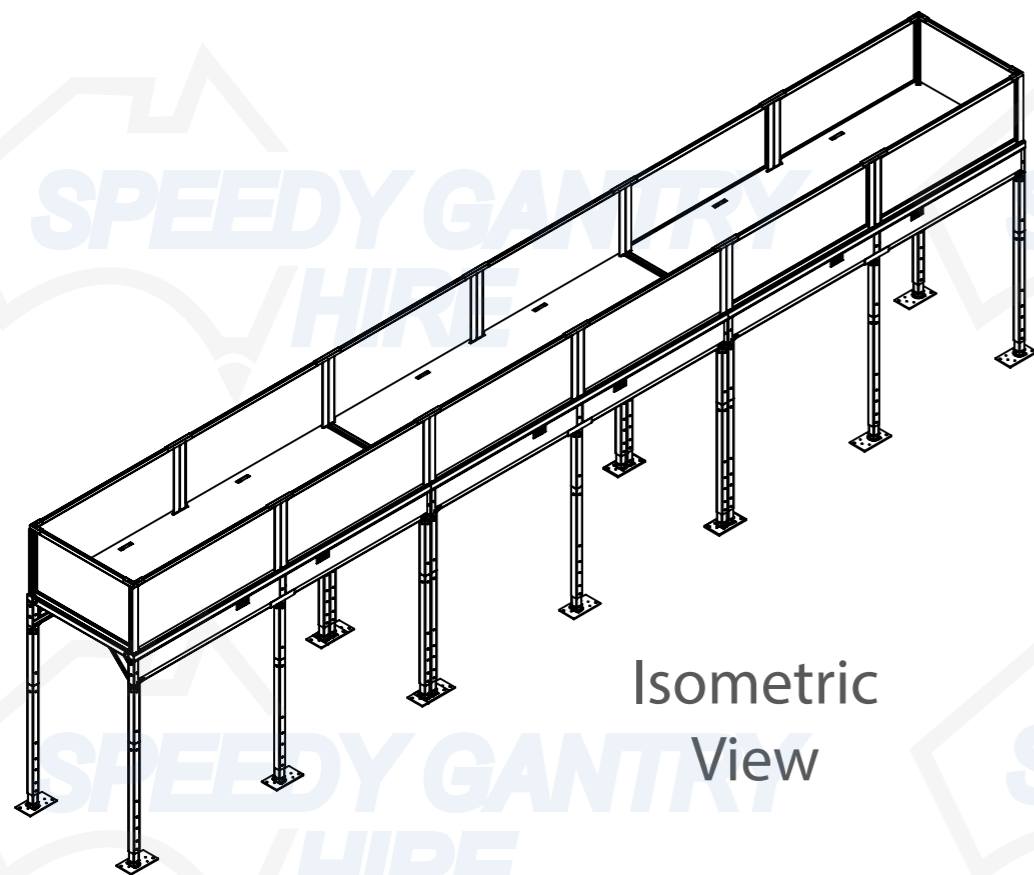
Clear Width Of 1500mm  
Allows a Wheelchair And a Pram  
To Pass.

Knee Bracing 2500mm  
As Per City of Sydney Council Policy  
(2200mm Min As Per  
Work Cover Code Of Practice)

300 Set back From Face Of Curb  
As Per City Of Sydney Council Hoarding  
Policy And Work Cover Code Of Practice  
(250 As Per Work Cover Code Of Practice)

**Site Fence**

-Must extend to underside of  
hoarding deck.  
- 1200mm wide structural grade  
plywood sheets of at least 17mm.  
-Sheets Must be butt joined &  
all fixings to be countersunk.  
-Incorporate graphics & colours  
where required.



Isometric  
View

**Council Notes:**  
1. Standard: To AS4100-1990  
2. Steel Grades: U.N.O  
Minimum Yield Strength:  
Plate 250MPa  
RHS & SHS 350MPa Retrofitted  
Gantry  
450MPa New Gantry  
CHS 250 MPa  
3. Unless Noted Otherwise:  
(i) Use 6mm Continuous Fillet Weld  
(CFW)  
(ii) Use 10mm Thick Plates  
(iii) Use W50X or E48XX Electrodes  
(iv) Use M20 8.8/S Bolts  
4. Protective Treatment:  
All Steelwork To Be Painted With An  
Approved Protection System.

Revision Table:	
NO:	DATE: DESCRIPTION:

Drawing Scale: **1:90**  
Sheet Size: **A3**

This drawing and any information or  
descriptive material set out on it  
are the confidential and copyright property  
of Speedy Gantry Hire. © and MUST NOT BE  
DISCLOSED, COPIED, LOANED in whole or part  
or used for any purpose without the  
written permission of Speedy Gantry Hire.

Document Type:  
**Company Confidential**

Legal Owner:  
Speedy Gantry Hire, 95-97 Stanley Road Ingleburn,  
1300 Gantry, jf@speedygantry.com.au

Builder: Speedy Gantry Hire Pty Ltd.	
Site Address: 95-97 Stanley Road Ingleburn,	
Drawn by: Gregory Georgiou	Drawn Date: 13/08/19
Checked/Approved by: Joshua Foy	Checked/Approved Date:
Associated drawing numbers	
Drawing Number:	Job Number:
Revision:	Issue:
Sheet:	