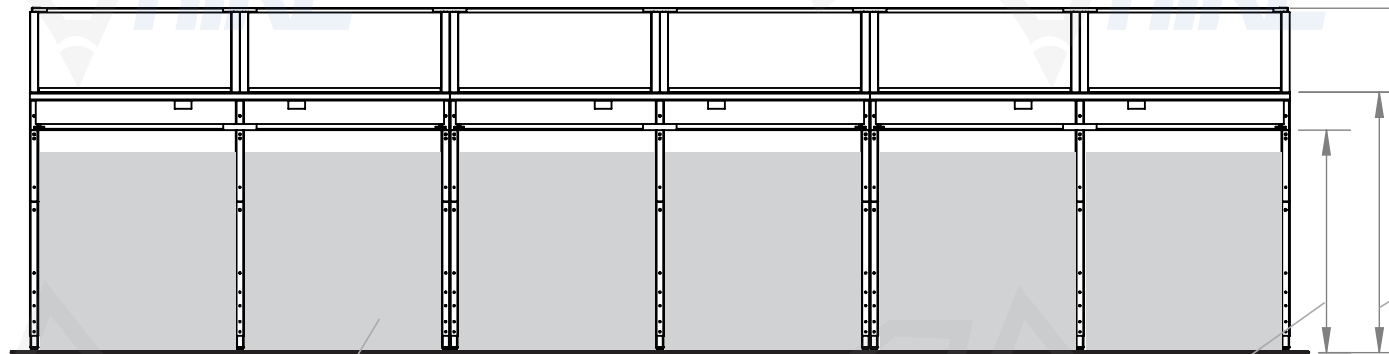


# SPEEDY GANTRY HIRE TYPICAL SECTION 2.2M WIDE UNIT

## Elevation View

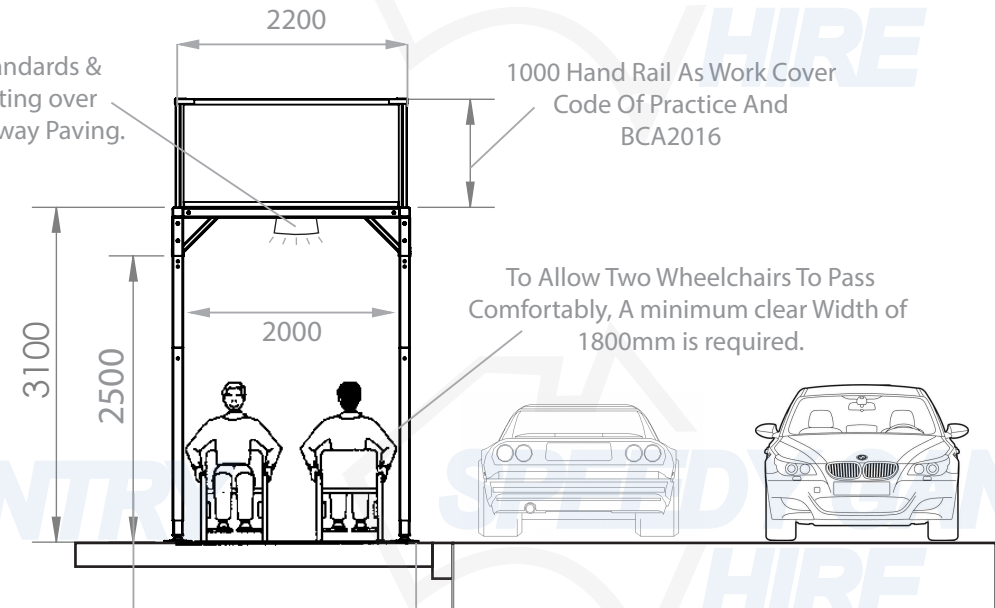


1000 Hand Rail As Work Cover  
Code Of Practice And  
BCA2016

3000 To The Top Of  
Deck As Per City  
Of Sydney Council  
Hoarding Policy

2500 Clearance to Knee Brace  
AS per City of Sydney Council Policy.

## End Section View



Lighting  
Must meet minimum standards &  
Provide additional Lighting over  
Ramps and Disrupted Footway Paving.

1000 Hand Rail As Work Cover  
Code Of Practice And  
BCA2016

To Allow Two Wheelchairs To Pass  
Comfortably, A minimum clear Width of  
1800mm is required.

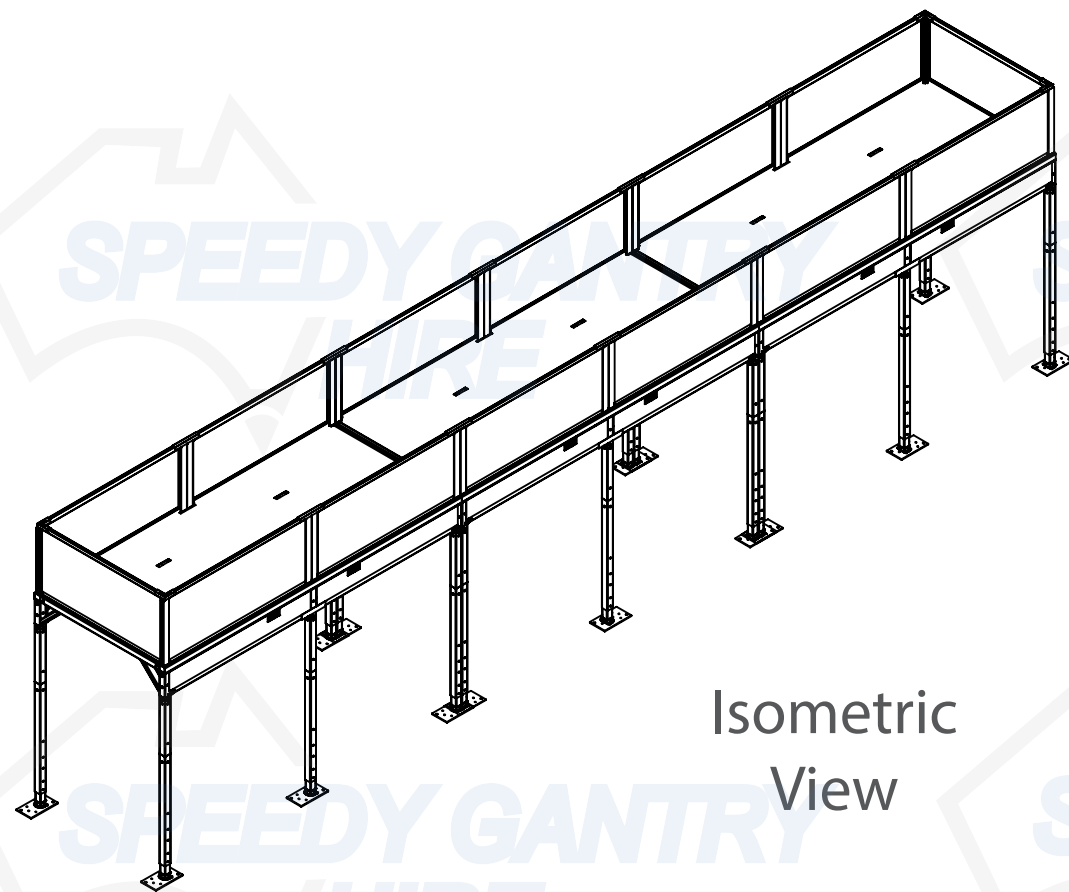
Knee Bracing 2500mm  
As Per City of Sydney Council Policy  
(2200mm Min As Per  
Work Cover Code Of Practice)

300 Set back From Face Of Curb  
As Per City Of Sydney Council Hoarding  
Policy And Work Cover Code Of Practice  
(250 As Per Work Cover Code Of Practice)

**Site Fence**  
-Must extend to underside of  
hoarding deck.  
- 1200mm wide structural grade  
plywood sheets of at least 17mm.  
-Sheets Must be butt joined &  
all fixings to be countersunk.  
-Incorporate graphics & colours  
where required.

### A- Class Fence

- A- Class Hoarding extended to underside of Hoarding Deck.  
1200mm Wide Structural Grade Plywood Sheets, Having thickness  
of at least 17mm.  
Sheets to be butt joined and All Fixings used are Countersunk Screws.  
PLly to be black as graphics will be imposed over top.



## Isometric View

**Council Notes:**  
1. Standard: To AS4100-1990  
2. Steel Grades: U.N.O  
Minimum Yield Strength:  
Plate 250MPa  
RHS & SHS 350MPa Retrofitted  
Gantry  
450MPa New Gantry  
CHS 250 MPa  
3. Unless Noted Otherwise:  
(i) Use 6mm Continuous Fillet Weld (CFW)  
(ii) Use 10mm Thick Plates  
(iii) Use W50X or E48XX Electrodes  
(iv) Use M20 8.8/S Bolts  
4. Protective Treatment:  
All Steelwork To Be Painted With An  
Approved Protection System.

Revision Table:	
NO:	DATE: DESCRIPTION:

Drawing Scale: **1:90**

Sheet Size: **A3**

This drawing and any information or descriptive material set out on it are the confidential and copyright property of Speedy Gantry Hire. © and MUST NOT BE DISCLOSED, COPIED, LOANED in whole or part or used for any purpose without the written permission of Speedy Gantry Hire.

Document Type:  
**Company Confidential**

Legal Owner:  
Speedy Gantry Hire, 95-97 Stanley Road Ingleburn,  
1300 Gantry, jf@speedygantry.com.au

Builder: Speedy Gantry Hire Pty Ltd.	
Site Address: 95-97 Stanley Road Ingleburn,	
Drawn by: Gregory Georgiou	Drawn Date: 13/08/19
Checked/Approved by: Joshua Foy	Checked/Approved Date:
Associated drawing numbers	
Drawing Number:	Job Number:
Revision:	Issue:
Sheet:	