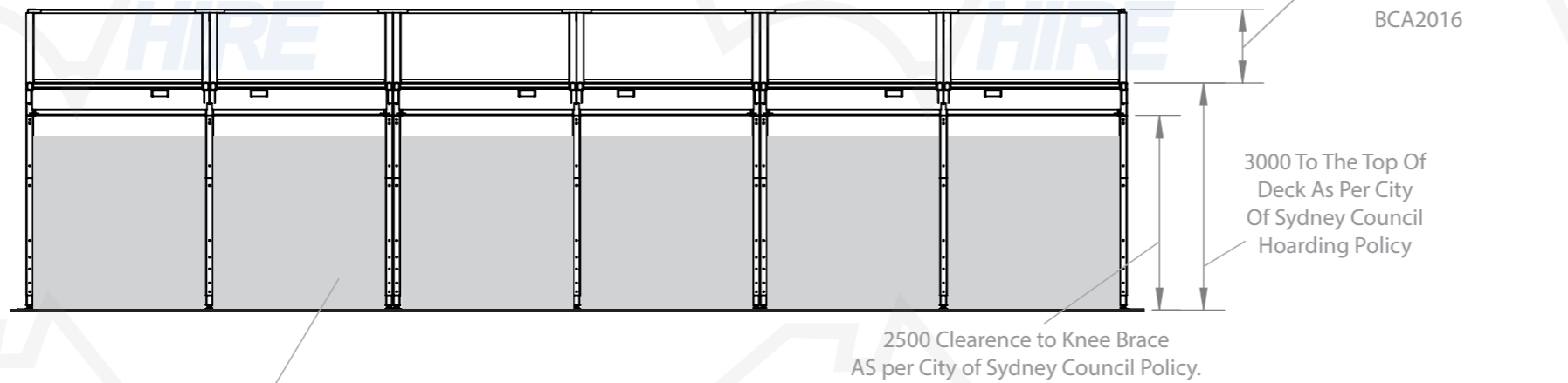


SPEEDY GANTRY HIRE TYPICAL SECTION 3.45M WIDE UNIT

Elevation View



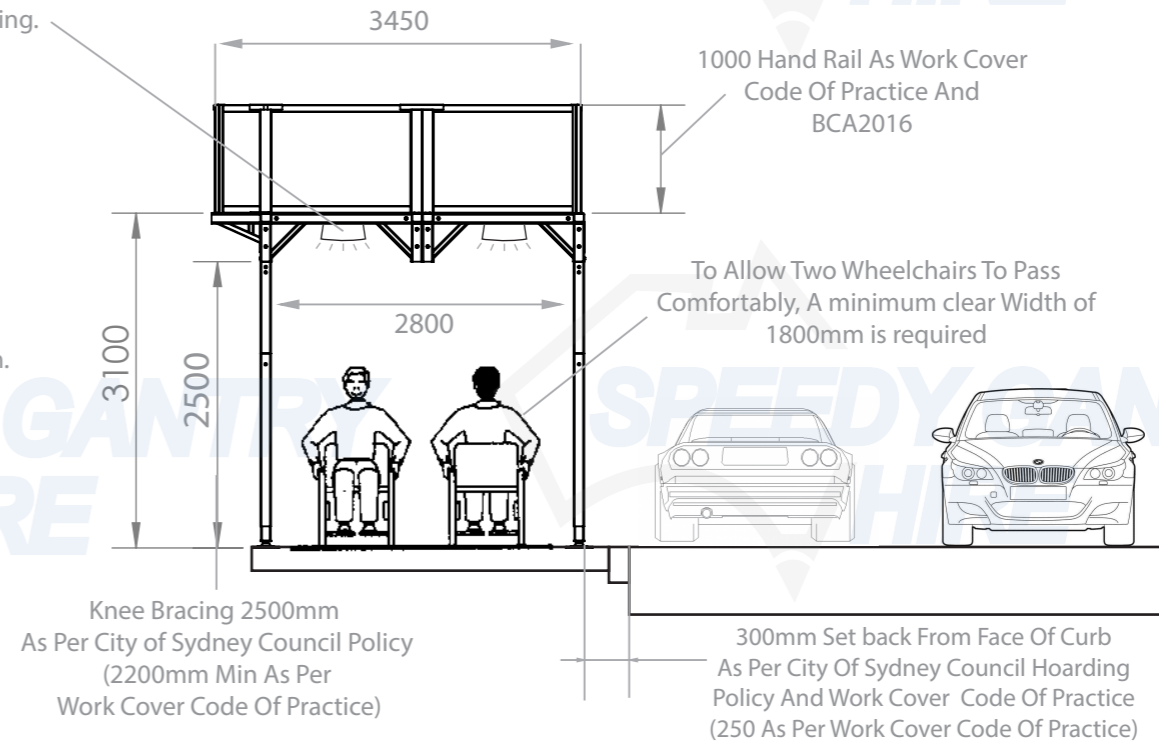
A- Class Fence

- A- Class Hoarding extended to underside of Hoarding Deck.
1200mm Wide Structural Grade Plywood Sheets, Having thickness of at least 17mm.
Sheets to be butt joined and All Fixings used are Countersunk Screws.
PLly to be black as graphics will be imposed over top.

Lighting

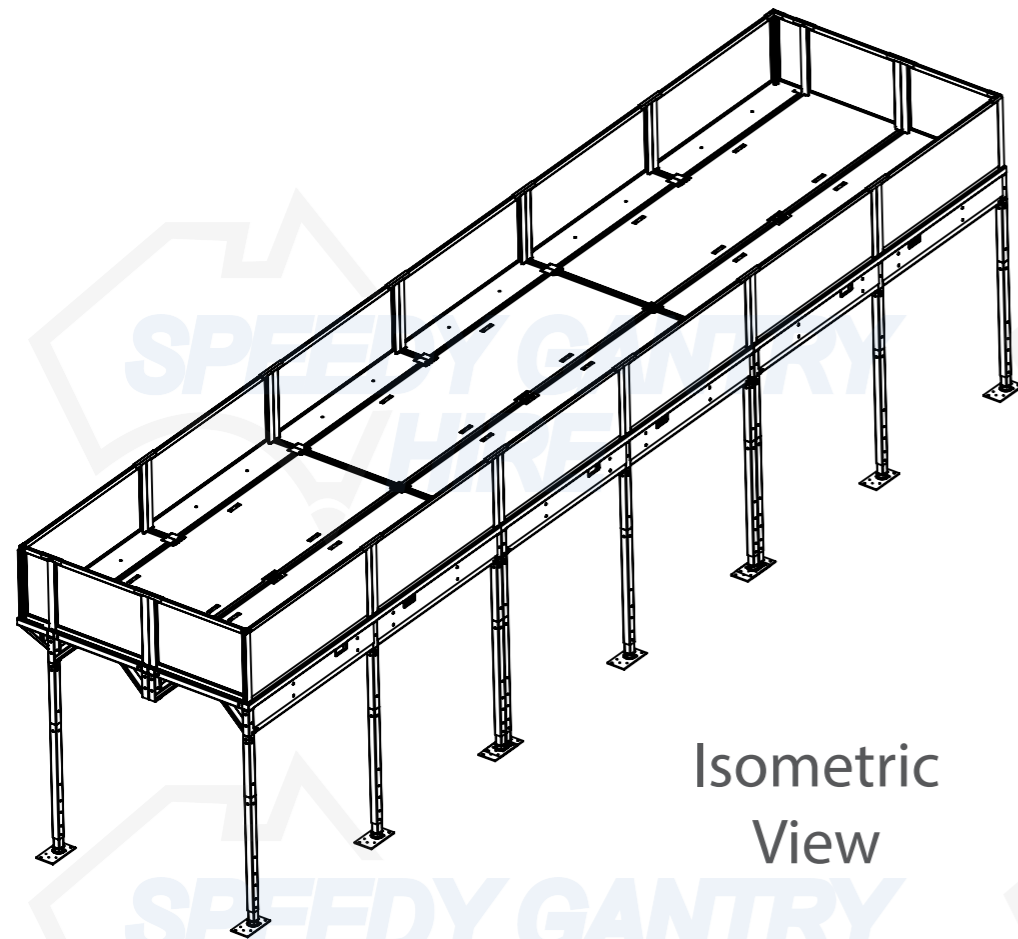
Must meet minimum standards & Provide additional Lighting over Ramps and Disruped Footway Paving.

End Section View



Site Fence

-Must extend to underside of hoarding deck.
- 1200mm wide structural grade plywood sheets of at least 17mm.
-Sheets Must be butt joined & all fixings to be countersunk.
-Incorporate graphics & colours where required.



Isometric View

Council Notes:

- Standard: To AS4100-1990
- Steel Grades: U.N.O
Minimum Yield Strength:
Plate 250MPa
RHS & SHS 350MPa Retrofitted Gantry
450MPa New Gantry
CHS 250 MPa
- Unless Noted Otherwise:
(i) Use 6mm Continuous Fillet Weld (CFW)
(ii) Use 10mm Thick Plates
(iii) Use W50X or E48XX Electrodes
(iv) Use M20 8.8/S Bolts
- Protective Treatment:
All Steelwork To Be Painted With An Approved Protection System.

Revision Table:

NO:	DATE:	DESCRIPTION:

Drawing Scale: **1:90**

Sheet Size: **A3**

This drawing and any information or descriptive material set out on it are the confidential and copyright property of Speedy Gantry Hire. © and MUST NOT BE DISCLOSED, COPIED, LOANED in whole or part or used for any purpose without the written permission of Speedy Gantry Hire.

Document Type:

Company Confidential

Legal Owner:

Speedy Gantry Hire, 95-97 Stanley Road Ingleburn, 1300 Gantry, jf@speedygantry.com.au

Builder: Speedy Gantry Hire Pty Ltd.
Site Address: 95-97 Stanley Road Ingleburn,

Drawn by: Gregory Georgiou
Drawn Date: 13/08/19

Checked/Approved by: Joshua Foy
Checked/Approved Date:

Associated drawing numbers

Drawing Number:	Job Number:	Revision:	Issue:	Sheet:
-----------------	-------------	-----------	--------	--------

A	1	1	1
---	---	---	---